

2019 PRODUCT CATALOG



Teknik SAT[®] METAL
Electric - Electromechanical

CABINET **SYSTEMS**

ABOUT US

Specialized metal was founded in 2016. Our company, which works without compromising the principles of quality production and customer satisfaction, manufactures new products with the production of TEKNOLINE branded Rack Cabinets and Cabinet Accessories with modern machine parks. Our production, design and applications are made by 100% domestic technology. We provide a high quality service, the standards required to ensure installation.

19 tir Rack Cabinets and Accessories, Indoor and Outdoor Panel, Lighting Fixtures, Stands and special productions have a wide product range. Learn more.

They produce software in their production with designs produced with new technologies.

Experienced and dynamic team with the Refinery and Rack Transmission, Communication and Information Technology are presented to markets in Turkey and abroad with.

Click here to follow the technology and trust articles to give better service.

You can use our cabinet products safely at all prices. Leader in the Cabinet Sector with Appropriate Payment Terms Fast Delivery. We are trying to make a difference between us and our competitors with the principle of unchanging quality.

We produce all our products together with the latest technology and machines. Today, we continue to produce new products and competencies.

Technical offers Metal, production and design services to meet the expectations of customers is to provide.

- TSE
- CE
- ISO 9001: 2008
- ISO 14001: 2004
- OHSAS 18001: 2007
- Warranty Certificate
- Has ROHS Certificate.

Customer satisfaction papers;

- Superior quality
- High stock
- Reasonable price
- Timely delivery
- Multirenk selection
- Boutique designs
- Long life products

OUR CORPORATE VALUES;

- Justice
- Being savvy
- Being a researcher
- Wisdom
- Not waiting for someone to change
- Sensitivity
- Search for differences and take power from differences
- To respond to evolving needs
- Development
- Trusting
- Being reliable
- Become a developer
- Provide communication
- Improvement
- Participation
- Quantification and consideration,
- Review, continuous
- Being selfless
- Being a guide
- Systematic work
- Problem solving fast
- Consistency
- Based on data and information

VISION _ MISSION

Our Vision

To be the manufacturer & provider of technology products and services suitable for the needs of customers of all business partners in the world and in our country in the weak current technologies lane and to continue its activities as the leading weak current technologies company in the market. In this journey, we aim to make a world brand with decisive steps in the aim of making a world brand, while on this journey, we will provide personalized service with exploration, offer, production, assembly and after-sales services on topics of Weak Current Technologies as well as volume and value-added business model.

Our Mission

To be the main procurement center of our product range, to work with our manufacturer identity, to increase our competitiveness and to meet all of our business partners' weak current technologies products and service needs by providing them the best logistics service. In order to ensure the satisfaction of our business partners, we provide a working environment where our employees can feel trust and satisfaction and to measure and continuously improve our work efficiency.

Our Values

Trustworthy and Reputation

In all our behaviors, we always take care to have high business ethics, to be consistent, to be honest, to perform what we say, to be respectful to others, to have our company in every sense and to represent it in the best way.

Result Focused

As a fast, dynamic and hard-working team, we love to succeed. We focus on our target, and we strive to be a leader in the sector with our cost leadership. We achieve our results by exhibiting sustainable and measurable efficiency.

We are a competent team

We are open to continuous development and importance. We value learning and learning as a team. We feel responsible for our work and results, and we improve our competencies to get results. We take care to realize all these with the positive and optimistic communication skills, making life easier.

We strive for innovation

We take care to be creative, changeable and open to opportunities. We take measurable risks to generate new ideas and to assess existing opportunities.

RACK CABINET

INTELLIGENT COOLING SYSTEM (AGILE)

It is designed to enable all active and passive devices to be protected thanks to its aesthetic appearance, high quality design and manufacturing which will be used in office applications.



Digital thermostat smart system
and Remote **Control Systems**
Rack Cabinet

- TSM-FRK 16U
- TSM-FRK 20U
- TSM-FRK22U
- TSM-FRK26U
- TSM-FRK 32U
- TSM-FRK 36U
- TSM-FRK 42U
- TSM-FRK 44U



PRACTICAL AND ERGONOMIC

design, all brands and models are manufactured with active and passive ventilation and traceability in every detail accessories that you can install active and passive devices.

The digital temperature sensor measures the temperature of the heat and Fan 1 and 2 enter the circuit at the specified temperature intervals. At extremely high temperatures the Buzzer Alarm is switched on and the warning buzzer sounds.

- Temperature Sensor
- Digital Indicator
- Dual System Cooling Fan With 2 And 4
- Temperature Analysis
- Remote Access



19" RACK CABINET

600x600

Free Standing Rack Cabinet

Network/Server cabinets,

Quality and value added in the most optimal way.

Parallel to the high performance and quality of its network applications, fully automatic industrial infrastructure and design create an unbelievable price index and offer the customer likes.



In the 600mm wide range,

From 16U to 44U, 8 different depths are offered. The cabinets are supplied as standard with glass front door, mechanical interlock, locked metal side panels and a locked metal rear door. All panels and doors are lockable.

Colour Options



RAL 9005
Black



RAL 7035
Light Grey

Wide product height portfolio,

Everything you need for your infrastructure meets the need for height.

In addition to its technical appearance, it also has an aesthetic appearance with decorative extrusion aluminum front door frame.

Completely standard and stocked product portfolio is shipped pre-assembled and disassembled.

The height adjustment foot is not included in the dispatch configuration.

It is offered with the quality to meet all usage demands and various accessory options and most suitable for height usage area.



19" RACK CABINET

600x600

Free Standing Rack Cabinet

DETAILS

19 " Stylish type modular rack cabinet – All steel construction - Ergonomic design - Carrying frame is steel construction with 1.5mm thickness - Openable and lockable side and back covers - Adjustable rack mounting brackets at the desired level - 800 kg carrying capacity - Easy assembling - An optional fan unit can be installed in the ceiling - The front door is supported by 4 mm tempered glass and sheet frame - Lower and upper cable entries – Standart colors ral 9005, 7035 and 7032 - Dismounted at freight costs: 50% savings, convenient price

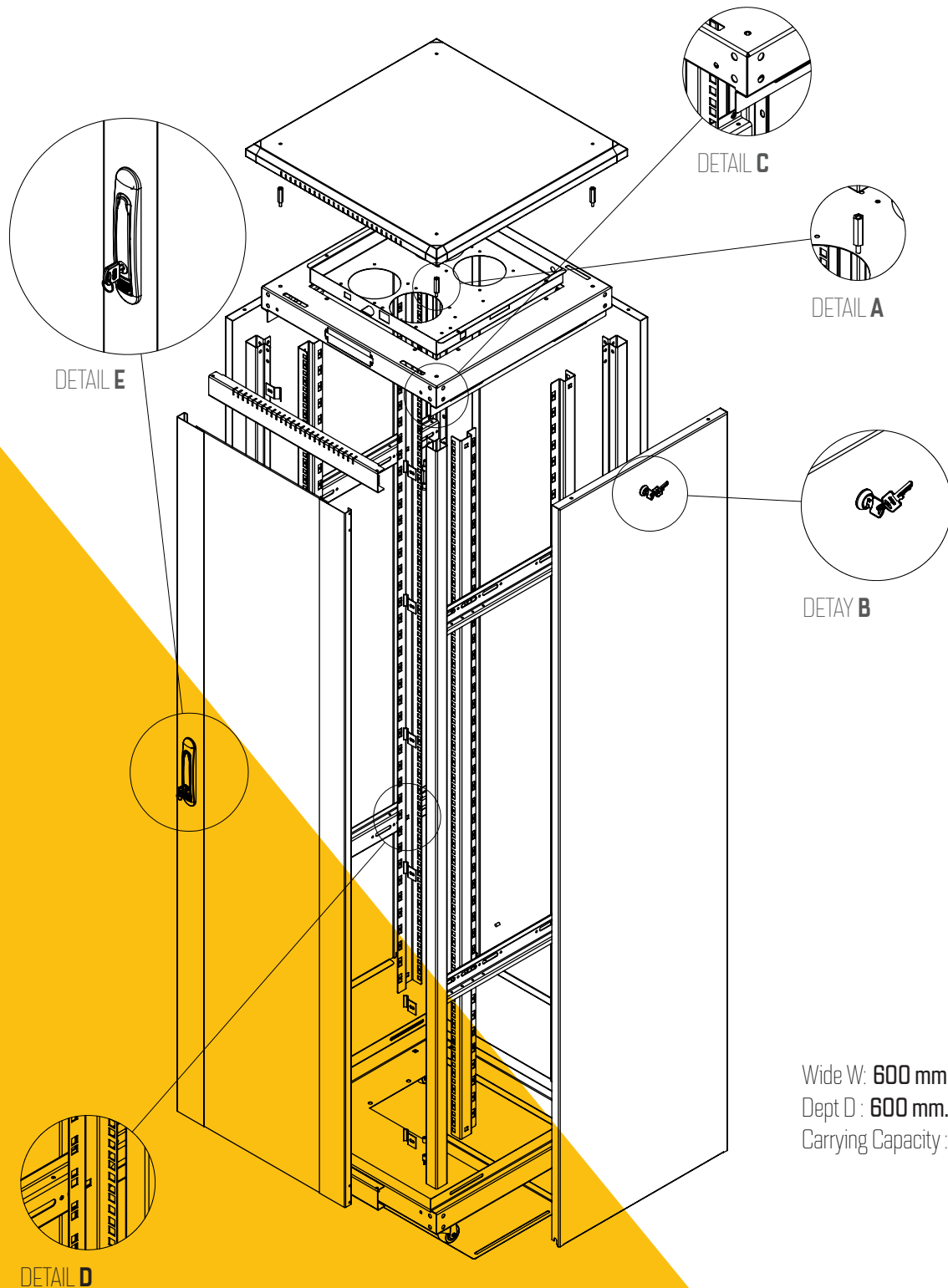


19" RACK CABINET

600x600

Free Standing Rack Cabinet

TECNICAL DETAILS



Wide W: 600 mm.
Dept D: 600 mm.
Carrying Capacity : 500 kg.

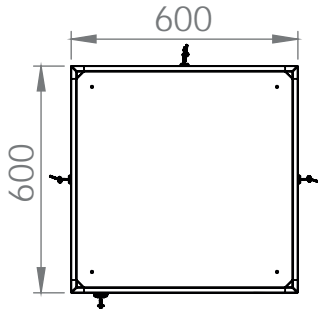


DETAIL D

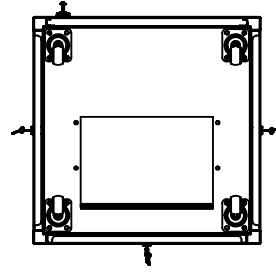
19" RACK CABINET 600x600

Free Standing Rack Cabinet

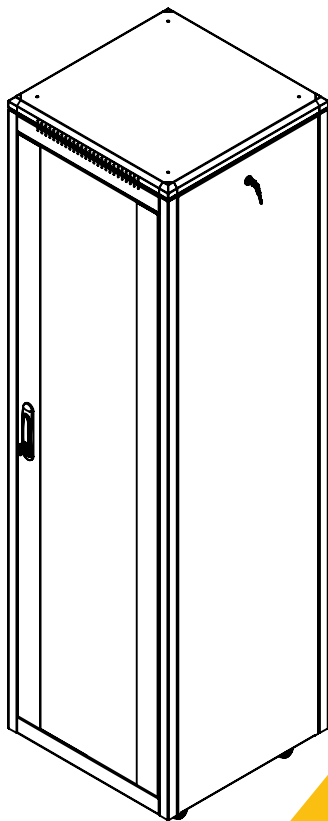
TECNICAL DETAILS



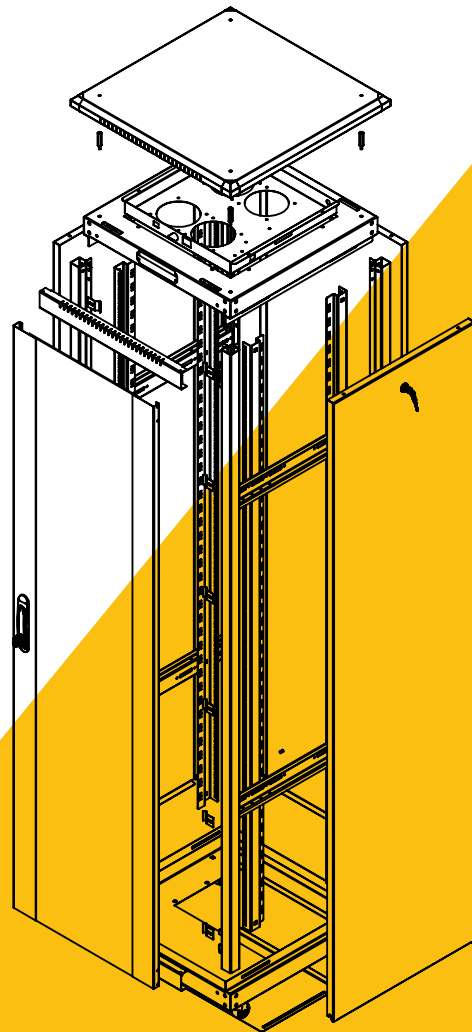
TOP VIEW



BOTTOM VIEW



ISOMETRIC VIEW



ISOMETRIC DECONATED VIEW

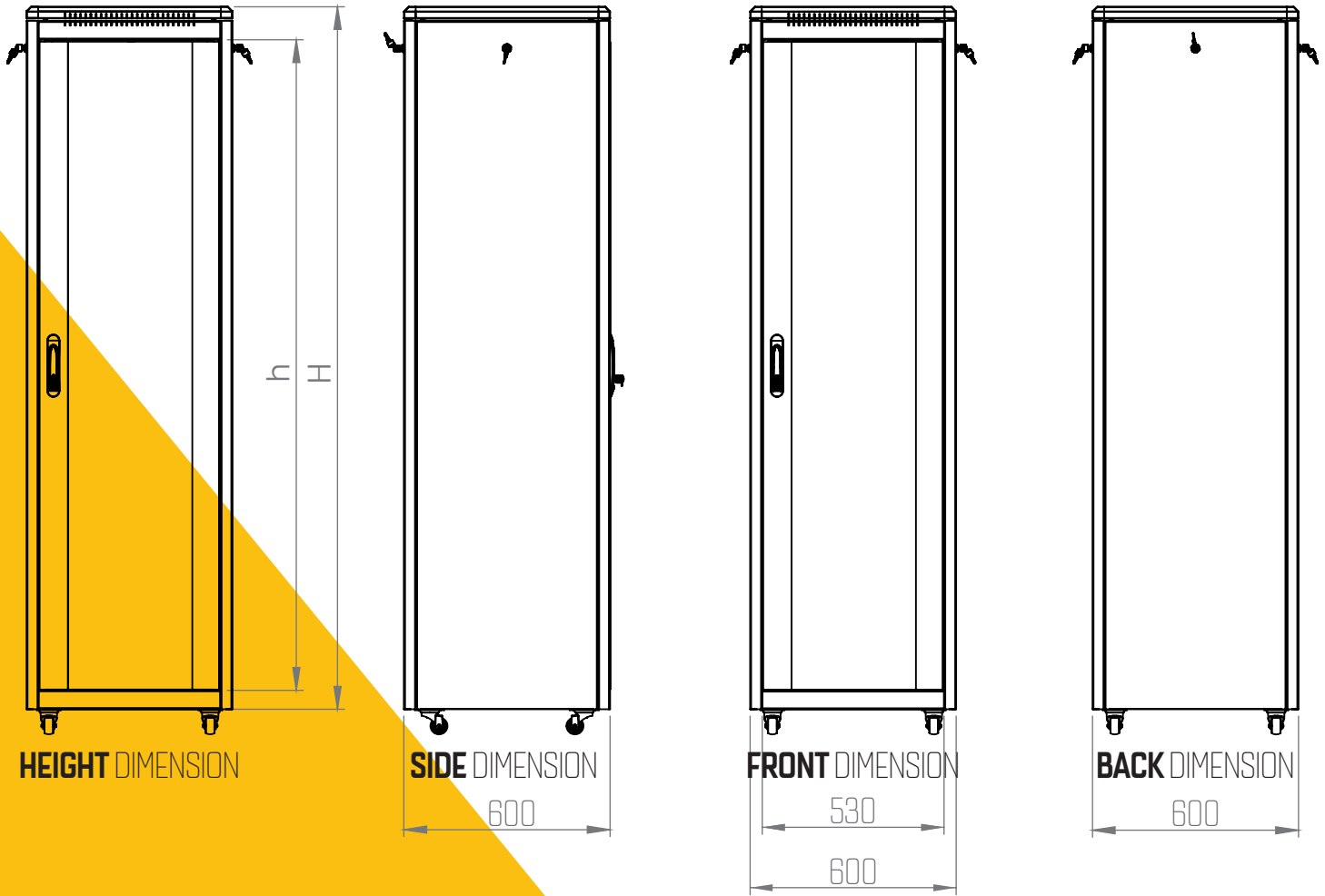


19" RACK CABINET

600x600

Free Standing Rack Cabinet

TECNICAL DETAILS



Product Code	Description	Stock Code	Dimension wxdxh Mm	h Dimension U	h mm	H mm Outside TWheel and Footless Measure Wheels 90 mm	Wide mm	Wide Device	Between The Bms Depth Mm	Amount In Packing	Packing Dimension WxDxH mm	Net Product Weight G.	Gros Product Weight G.
TSRK-16U6060	16U 19" Free Standing Cabinet W: 600mm D: 600 mm	17001	600x600x885	16U	740	885	600	19"	600	1	620x620x905	32.000	32.000
TSRK-20U6060	20U 19" Free Standing Cabinet W: 600mm D: 600 mm	17002	600x600x1066	20U	915	1066	600	19"	600	1	620x620x1086	40.000	40.000
TSRK-22U6060	22U 19" Free Standing Cabinet W: 600mm D: 600 mm	17003	600x600x1155	22U	1004	1155	600	19"	600	1	620x620x1175	44.000	44.000
TSRK-26U6060	26U 19" Free Standing Cabinet W: 600mm D: 600 mm	17004	600x600x1333	26U	1182	1333	600	19"	600	1	620x620x1353	52.000	52.000
TSRK-32U6060	32U 19" Free Standing Cabinet W: 600mm D: 600 mm	17005	600x600x1600	32U	1450	1600	600	19"	600	1	620x620x1620	64.000	64.000
TSRK-36U6060	36U 19" Free Standing Cabinet W: 600mm D: 600 mm	17006	600x600x1780	36U	1625	1780	600	19"	600	1	620x620x1800	72.000	72.000
TSRK-42U6060	42U 19" Free Standing Cabinet W: 600mm D: 600 mm	17007	600x600x2045	42U	1895	2045	600	19"	600	1	620x620x2065	84.000	84.000
TSRK-44U6060	44U 19" Free Standing Cabinet W: 600mm D: 600 mm	17008	600x600x2130	44U	1985	2130	600	19"	600	1	620x620x2150	88.000	88.000



19" RACK CABINET

600x800

Free Standing Rack Cabinet

Network/Server cabinets,

Quality and value added in the most optimal way.

Parallel to the high performance and quality of its network applications, fully automatic industrial infrastructure and design create an unbelievable price index and offer the customer likes.



In the 600mm wide range,

From 16U to 44U, 8 different depths are offered. The cabinets are supplied as standard with glass front door, mechanical interlock, locked metal side panels and a locked metal rear door. All panels and doors are lockable.

Colour Options



RAL 9005
Black



RAL 7035
Light Grey

Wide product height portfolio,

Everything you need for your infrastructure meets the need for height.

In addition to its technical appearance, it also has an aesthetic appearance with decorative extrusion aluminum front door frame.

Completely standard and stocked product portfolio is shipped pre-assembled and disassembled.

The height adjustment foot is not included in the dispatch configuration.

It is offered with the quality to meet all usage demands and various accessory options and most suitable for height usage area.



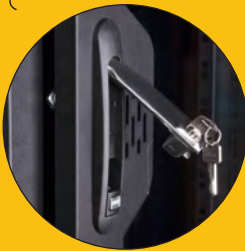
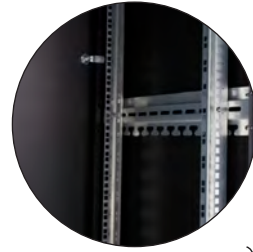
19" RACK CABINET

600x800

Free Standing Rack Cabinet

DETAILS

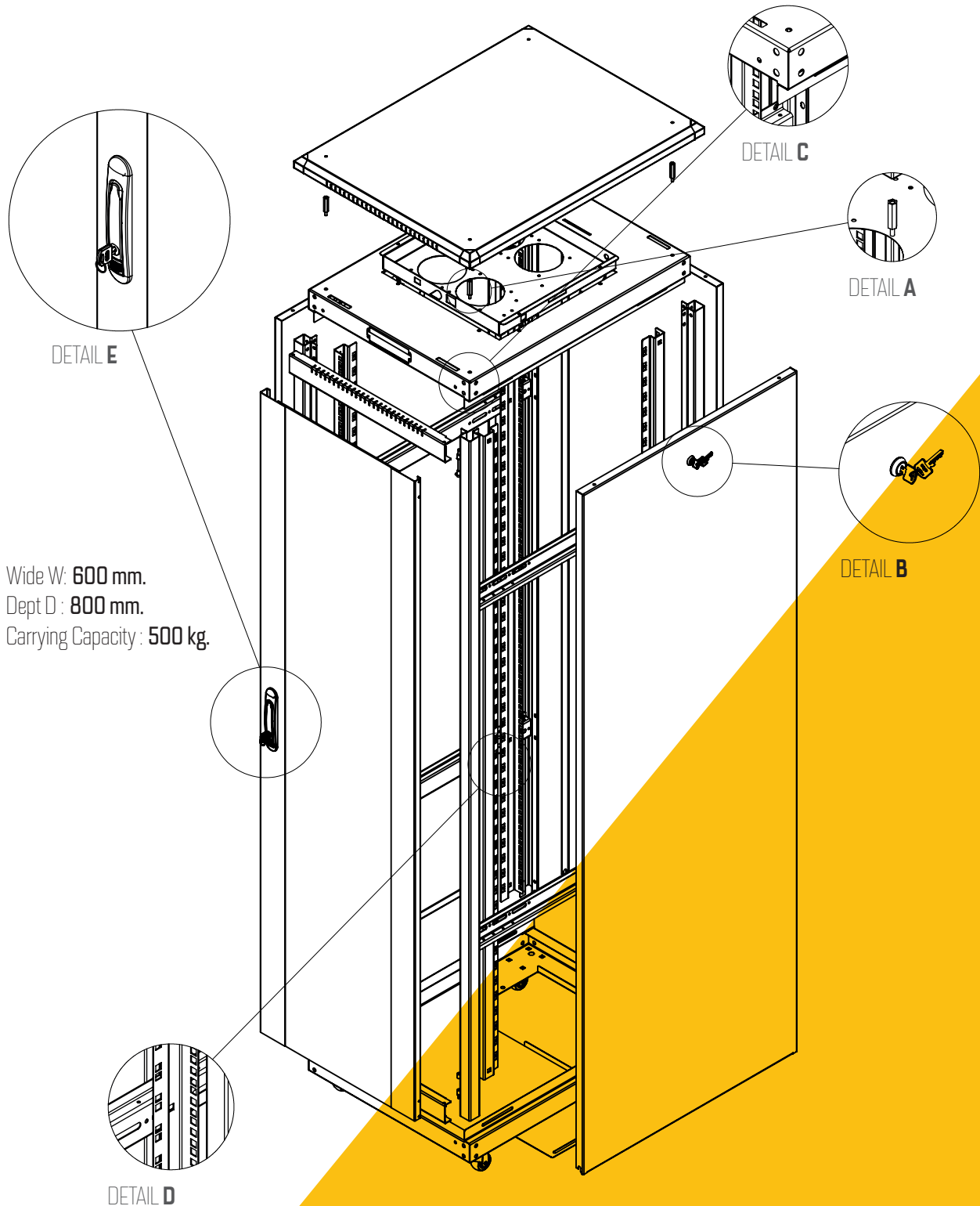
19 " Stylish type modular rack cabinet – All steel construction - Ergonomic design - Carrying frame is steel construction with 1.5mm thickness - Openable and lockable side and back covers - Adjustable rack mounting brackets at the desired level - 800 kg carrying capacity - Easy assembling - An optional fan unit can be installed in the ceiling - The front door is supported by 4 mm tempered glass and sheet frame - Lower and upper cable entries – Standart colors ral 9005, 7035 and 7032 - Dismounted at freight costs: 50% savings, convenient price



19" RACK CABINET 600x800

Free Standing Rack Cabinet

TECNICAL DETAILS



Wide W: 600 mm.
Dept D: 800 mm.
Carrying Capacity: 500 kg.

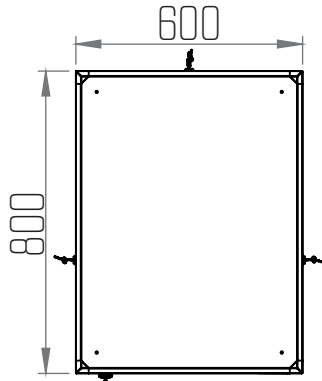


19" RACK CABINET

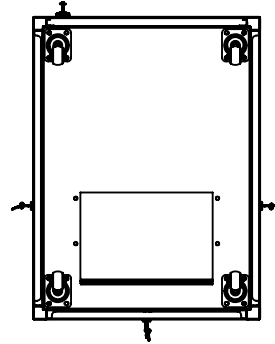
600x800

Free Standing Rack Cabinet

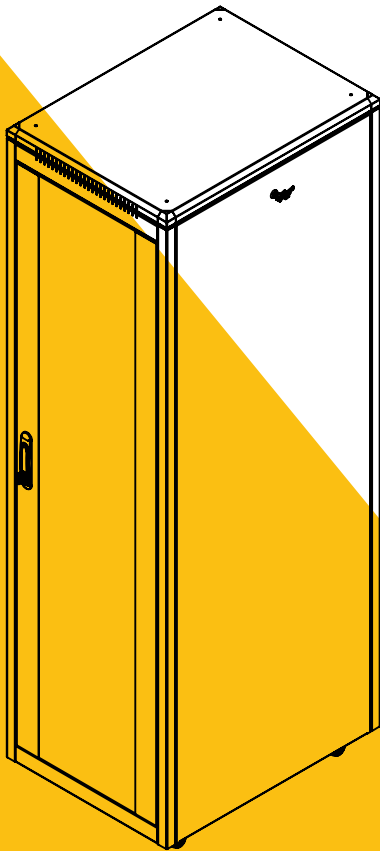
TECNICAL DETAILS



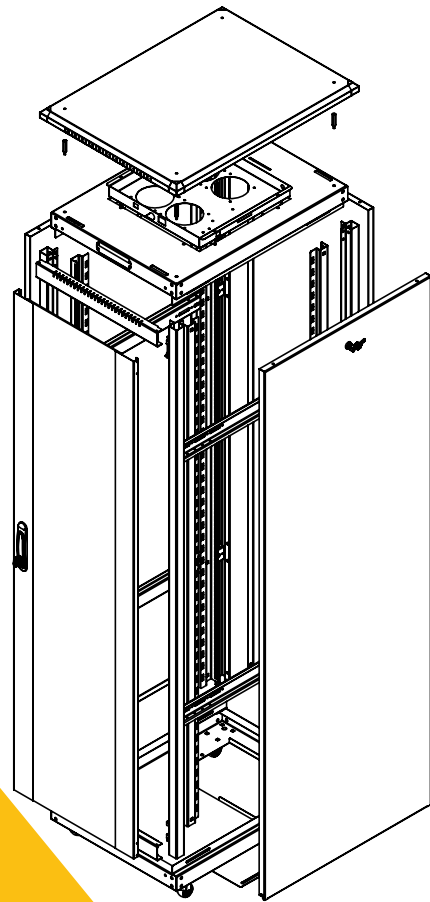
TOP VIEW



BOTTOM VIEW



ISOMETRIC VIEW



ISOMETRIC DECONATED VIEW

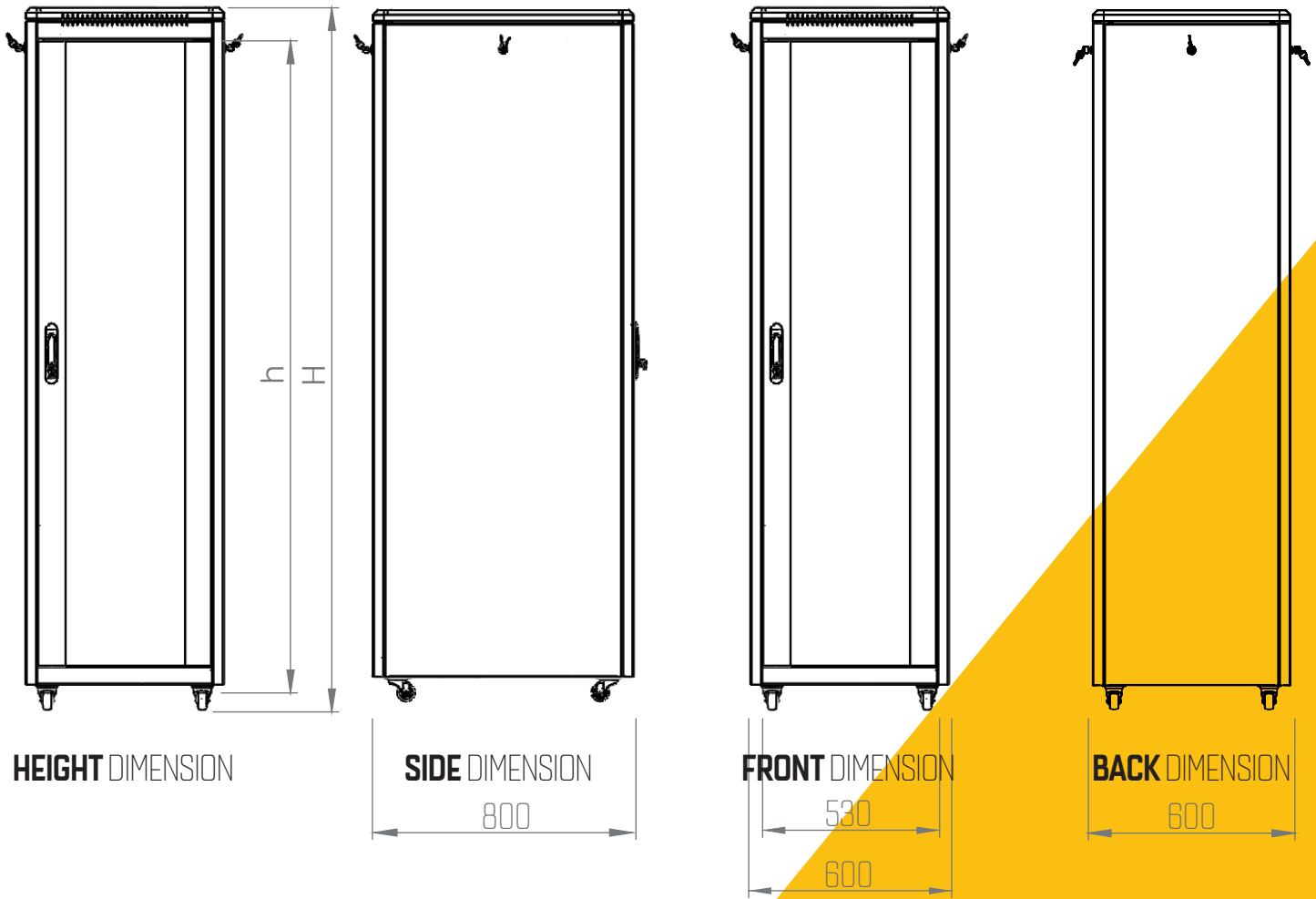


19" RACK CABINET

600x800

Free Standing Rack Cabinet

TECNICAL DETAILS



HEIGHT DIMENSION

SIDE DIMENSION

FRONT DIMENSION

BACK DIMENSION

Product Code	Description	Stock Code	Dimension wxdxh Mm	h Dimension U	h mm	H mm Outside T/Wheel and Footless Measure Wheels 90 mm	Wide mm	Wide Device	Between The Bins Depth Mm	Amount In Packing	Packing Dimension WxDxH mm	Net Product Weight G.	Gross Product Weight G.
TSRK-16U6080	16U 19" Free Standing Cabinet W: 600mm D: 800 mm	17011	600x800x885	16U	740	885	600	19"	800	1	620x820x905	40.000	40.000
TSRK-20U6080	20U 19" Free Standing Cabinet W: 600mm D: 800 mm	17012	600x800x1066	20U	915	1066	600	19"	800	1	620x820x1086	50.000	50.000
TSRK-22U6080	22U 19" Free Standing Cabinet W: 600mm D: 800 mm	17013	600x800x1155	22U	1004	1155	600	19"	800	1	620x820x1175	55.000	55.000
TSRK-26U6080	26U 19" Free Standing Cabinet W: 600mm D: 800 mm	17014	600x800x1333	26U	1182	1333	600	19"	800	1	620x820x1353	65.000	65.000
TSRK-32U6080	32U 19" Free Standing Cabinet W: 600mm D: 800 mm	17015	600x800x1600	32U	1450	1600	600	19"	800	1	620x820x1620	80.000	80.000
TSRK-36U6080	36U 19" Free Standing Cabinet W: 600mm D: 800 mm	17016	600x800x1780	36U	1625	1780	600	19"	800	1	620x820x1800	90.000	90.000
TSRK-42U6080	42U 19" Free Standing Cabinet W: 600mm D: 800 mm	17017	600x800x2045	42U	1895	2045	600	19"	800	1	620x820x2065	105.000	105.000
TSRK-44U6080	44U 19" Free Standing Cabinet W: 600mm D: 800 mm	17018	600x800x2130	44U	1985	2130	600	19"	800	1	620x820x2150	110.000	110.000



Turkey



19" RACK CABINET

600x1000

Free Standing Rack Cabinet

Network/Server cabinets,

Quality and value added in the most optimal way.

Parallel to the high performance and quality of its network applications, fully automatic industrial infrastructure and design create an unbelievable price index and offer the customer likes.



Colour Options



RAL 9005
Black



RAL 7035
Light Grey

In the 600mm wide range,

From 16U to 44U, 8 different depths are offered. The cabinets are supplied as standard with glass front door, mechanical interlock, locked metal side panels and a locked metal rear door. All panels and doors are lockable.

Wide product height portfolio,

Everything you need for your infrastructure meets the need for height. In addition to its technical appearance, it also has an aesthetic appearance with decorative extrusion aluminum front door frame.

Completely standard and stocked product portfolio is shipped pre-assembled and disassembled.

The height adjustment foot is not included in the dispatch configuration.

It is offered with the quality to meet all usage demands and various accessory options and most suitable for height usage area.



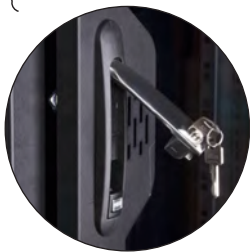
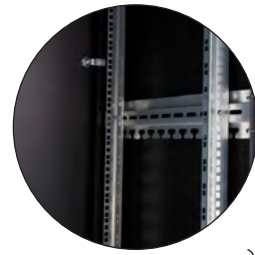
19" RACK CABINET

600x1000

Free Standing Rack Cabinet

DETAILS

19 " Stylish type modular rack cabinet – All steel construction - Ergonomic design - Carrying frame is steel construction with 1.5mm thickness - Openable and lockable side and back covers - Adjustable rack mounting brackets at the desired level - 800 kg carrying capacity - Easy assembling - An optional fan unit can be installed in the ceiling - The front door is supported by 4 mm tempered glass and sheet frame - Lower and upper cable entries – Standart colors ral 9005, 7035 and 7032 - Dismounted at freight costs: 50% savings, convenient price

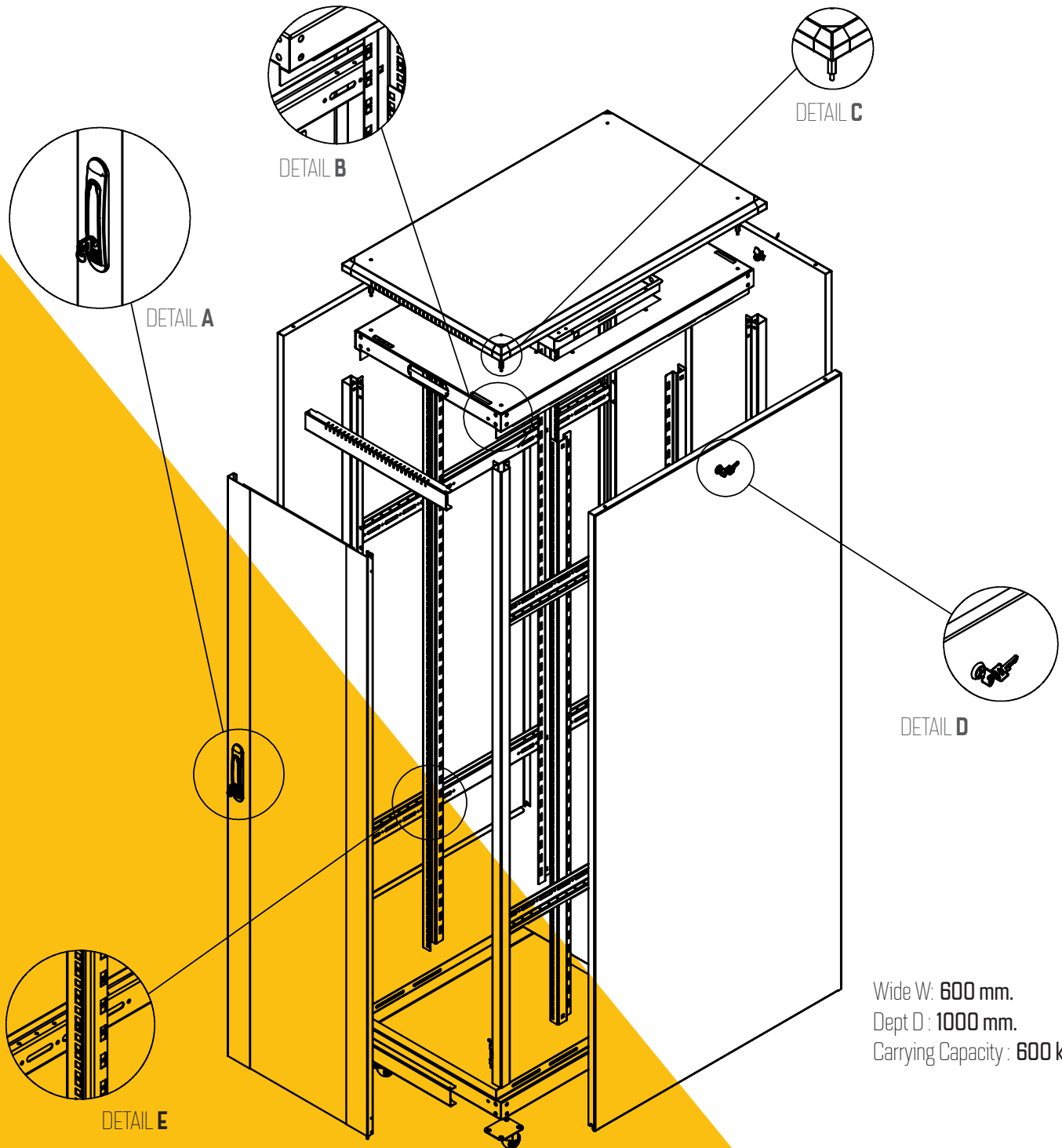


19" RACK CABINET

600x1000

Free Standing Rack Cabinet

TECNICAL DETAILS



Wide W: 600 mm.
Dept D: 1000 mm.
Carrying Capacity: 600 kg.

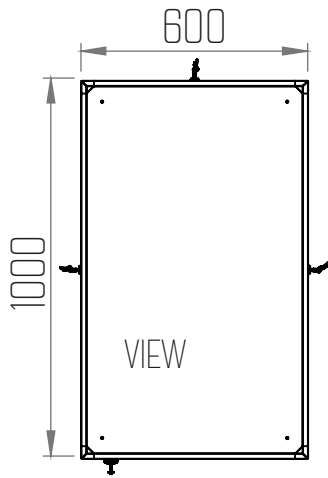


19" RACK CABINET

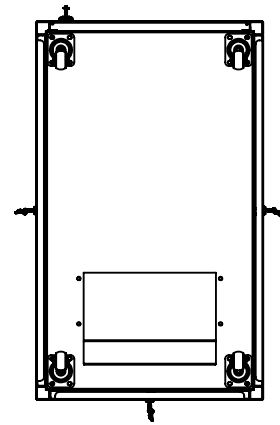
600x1000

Free Standing Rack Cabinet

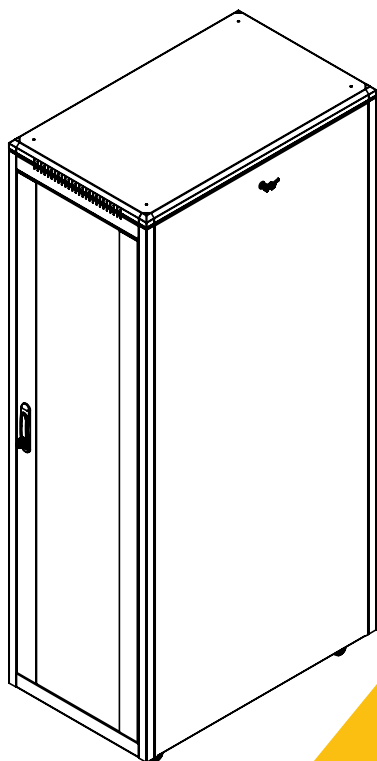
TECNICAL DETAILS



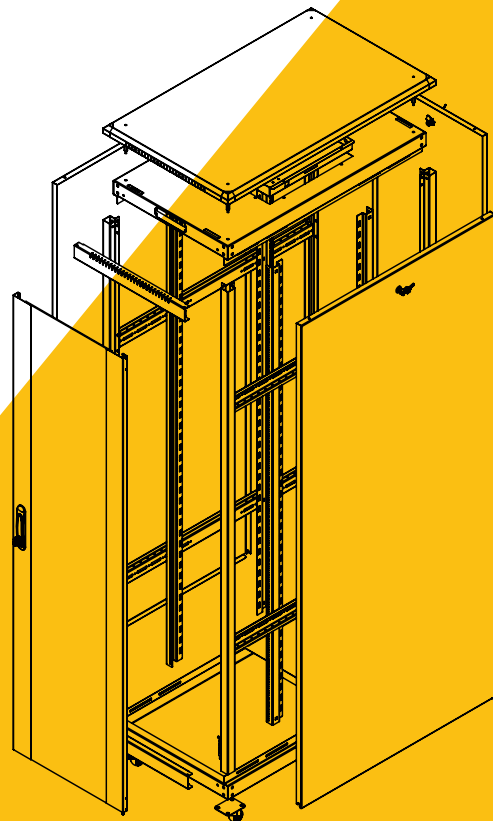
TOP VIEW



BOTTOM VIEW



ISOMETRIC VIEW



ISOMETRIC DECONATED VIEW

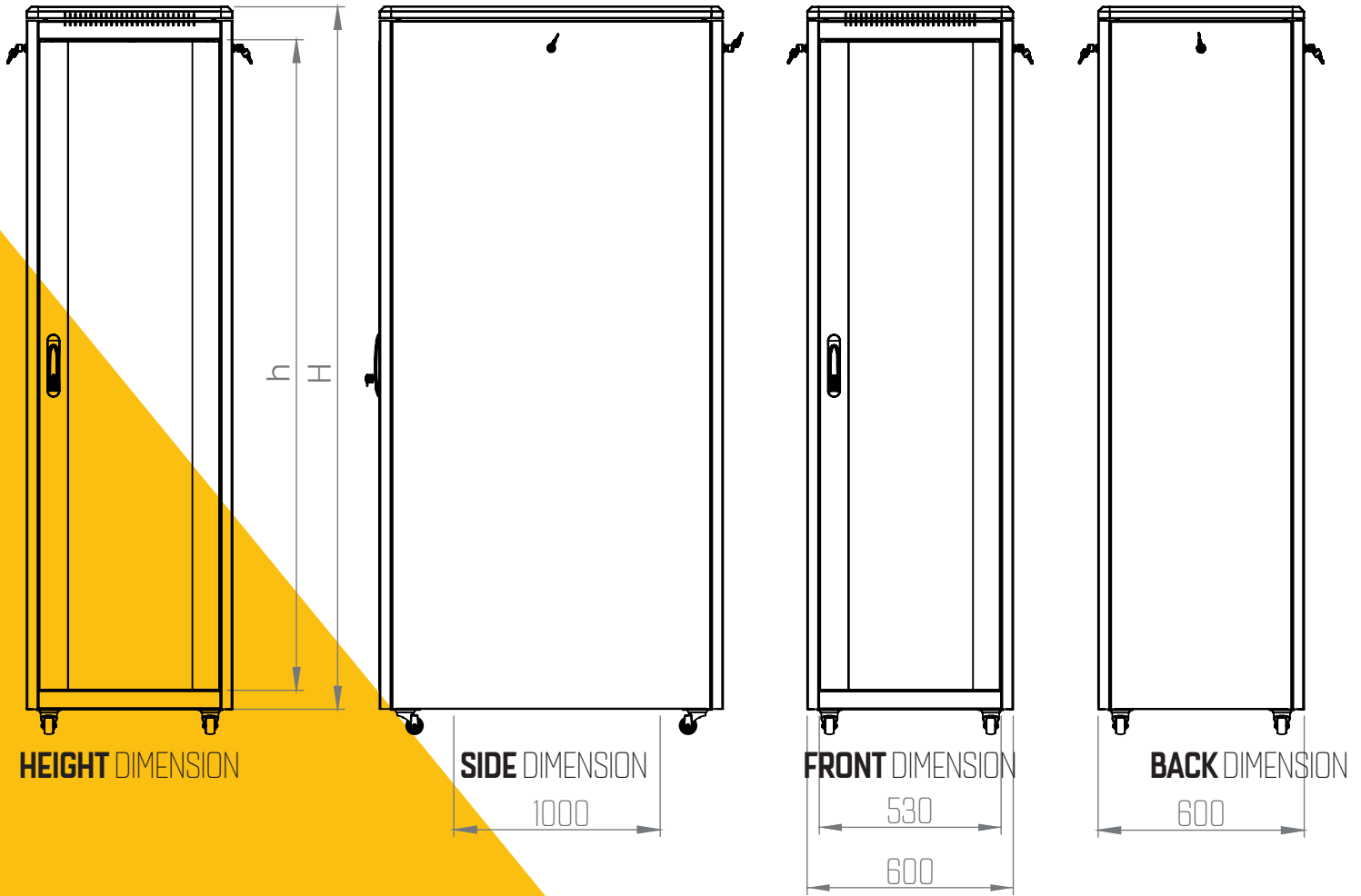


19" RACK CABINET

600x1000

Free Standing Rack Cabinet

TECNICAL DETAILS



Product Code	Description	Stock Code	Dimension wxdxh Min	h Dimension U	h mm	H mm Outside TWheel and Footers Measure Wheels 90 mm	Wide mm	Wide Device	Between The Bins Depth Min	Amount in Packing	Packing Dimension WxDxH mm	Net Product Weight G.	Gros Product Weight G.
TSRK-16U60100	16U 19" Free Standing Cabinet W: 600mm D: 1000 mm	17021	600x1000x885	16U	740	885	600	19"	1000	1	620x1020x905	48.000	48.000
TSRK-20U60100	20U 19" Free Standing Cabinet W: 600mm D: 1000 mm	17022	600x1000x1066	20U	915	1066	600	19"	1000	1	620x1020x1086	60.000	60.000
TSRK-22U60100	22U 19" Free Standing Cabinet W: 600mm D: 1000 mm	17023	600x1000x1155	22U	1004	1155	600	19"	1000	1	620x1020x1175	66.000	66.000
TSRK-26U60100	26U 19" Free Standing Cabinet W: 600mm D: 1000 mm	17024	600x1000x1333	26U	1182	1333	600	19"	1000	1	620x1020x1353	78.000	78.000
TSRK-32U60100	32U 19" Free Standing Cabinet W: 600mm D: 1000 mm	17025	600x1000x1600	32U	1450	1600	600	19"	1000	1	620x1020x1620	96.000	96.000
TSRK-36U60100	36U 19" Free Standing Cabinet W: 600mm D: 1000 mm	17026	600x1000x1780	36U	1625	1780	600	19"	1000	1	620x1020x1800	108.000	108.000
TSRK-42U60100	42U 19" Free Standing Cabinet W: 600mm D: 1000 mm	17027	600x1000x2045	42U	1895	2045	600	19"	1000	1	620x1020x2065	126.000	126.000
TSRK-44U60100	44U 19" Free Standing Cabinet W: 600mm D: 1000 mm	17028	600x1000x2130	44U	1985	2130	600	19"	1000	1	620x1020x2150	132.000	132.000



19" RACK CABINET

800x800

Free Standing Rack Cabinet

Network/Server cabinets,

Quality and value added in the most optimal way.

Parallel to the high performance and quality of its network applications, fully automatic industrial infrastructure and design create an unbelievable price index and offer the customer likes.



In the 600mm wide range,

From 16U to 44U, 8 different depths are offered. The cabinets are supplied as standard with glass front door, mechanical interlock, locked metal side panels and a locked metal rear door. All panels and doors are lockable.

Colour Options



RAL 9005
Black



RAL 7035
Light Grey

Wide product height portfolio,

Everything you need for your infrastructure meets the need for height.

In addition to its technical appearance, it also has an aesthetic appearance with decorative extrusion aluminum front door frame.

Completely standard and stocked product portfolio is shipped pre-assembled and disassembled.

The height adjustment foot is not included in the dispatch configuration.

It is offered with the quality to meet all usage demands and various accessory options and most suitable for height usage area.



100
Client Önemli

Turkey



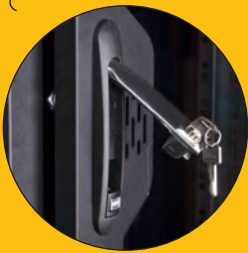
19" RACK CABINET

800x800

Free Standing Rack Cabinet

DETAILS

19 " Stylish type modular rack cabinet – All steel construction - Ergonomic design - Carrying frame is steel construction with 1.5mm thickness - Openable and lockable side and back covers - Adjustable rack mounting brackets at the desired level - 800 kg carrying capacity - Easy assembling - An optional fan unit can be installed in the ceiling - The front door is supported by 4 mm tempered glass and sheet frame - Lower and upper cable entries – Standart colors ral 9005, 7035 and 7032 - Dismounted at freight costs: 50% savings, convenient price

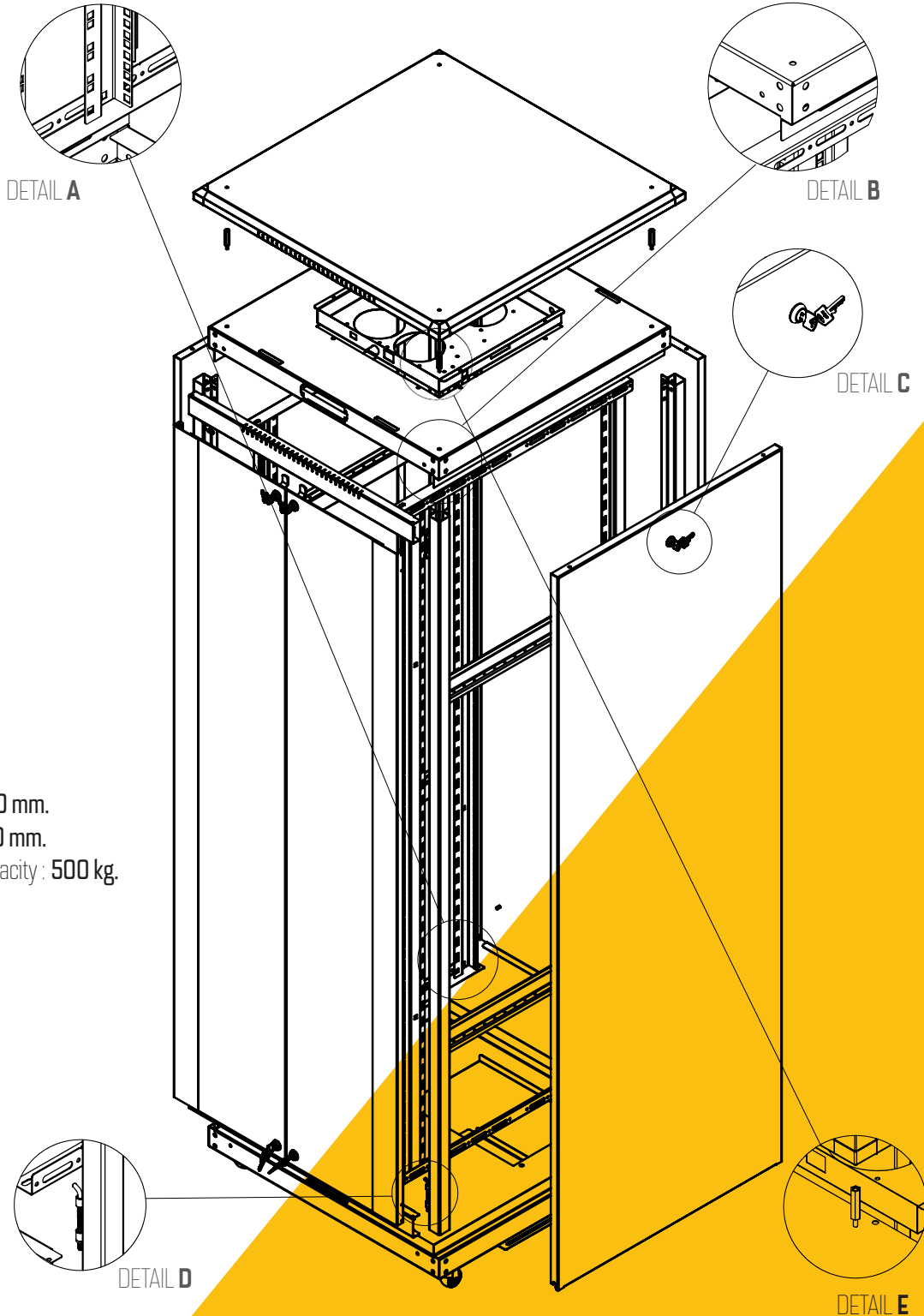


19" RACK CABINET

800x800

Free Standing Rack Cabinet

TECNICAL DETAILS



Wide W: 800 mm.
Dept D: 800 mm.
Carrying Capacity: 500 kg.

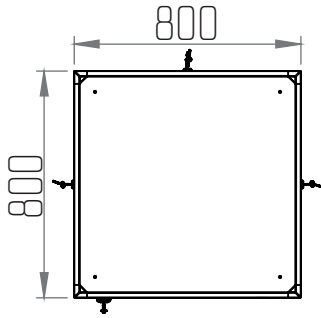


19" RACK CABINET

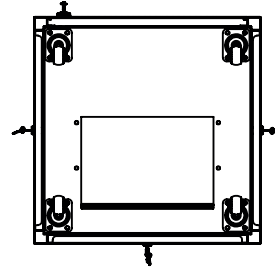
800x800

Free Standing Rack Cabinet

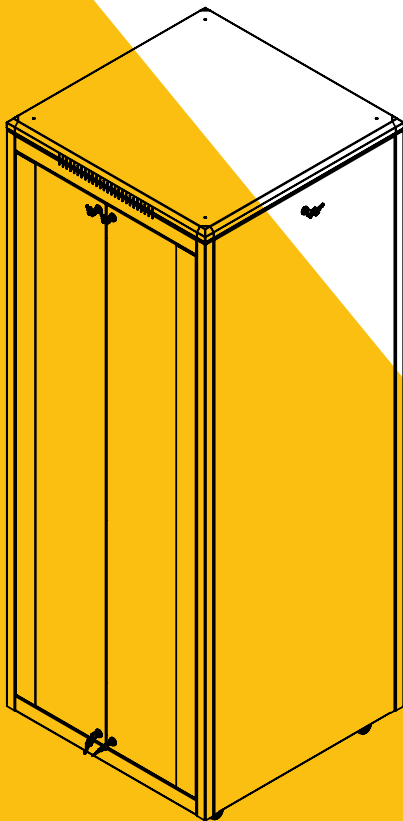
TECNICAL DETAILS



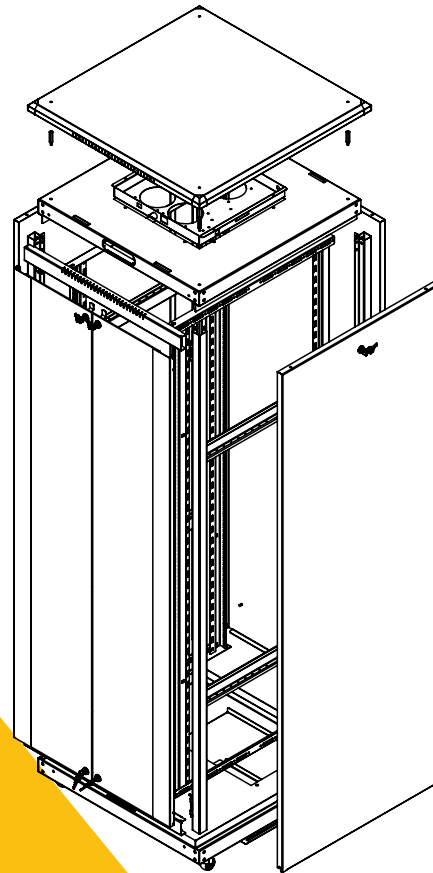
TOP VIEW



BOTTOM VIEW



ISOMETRIC VIEW



ISOMETRIC DECONATED VIEW

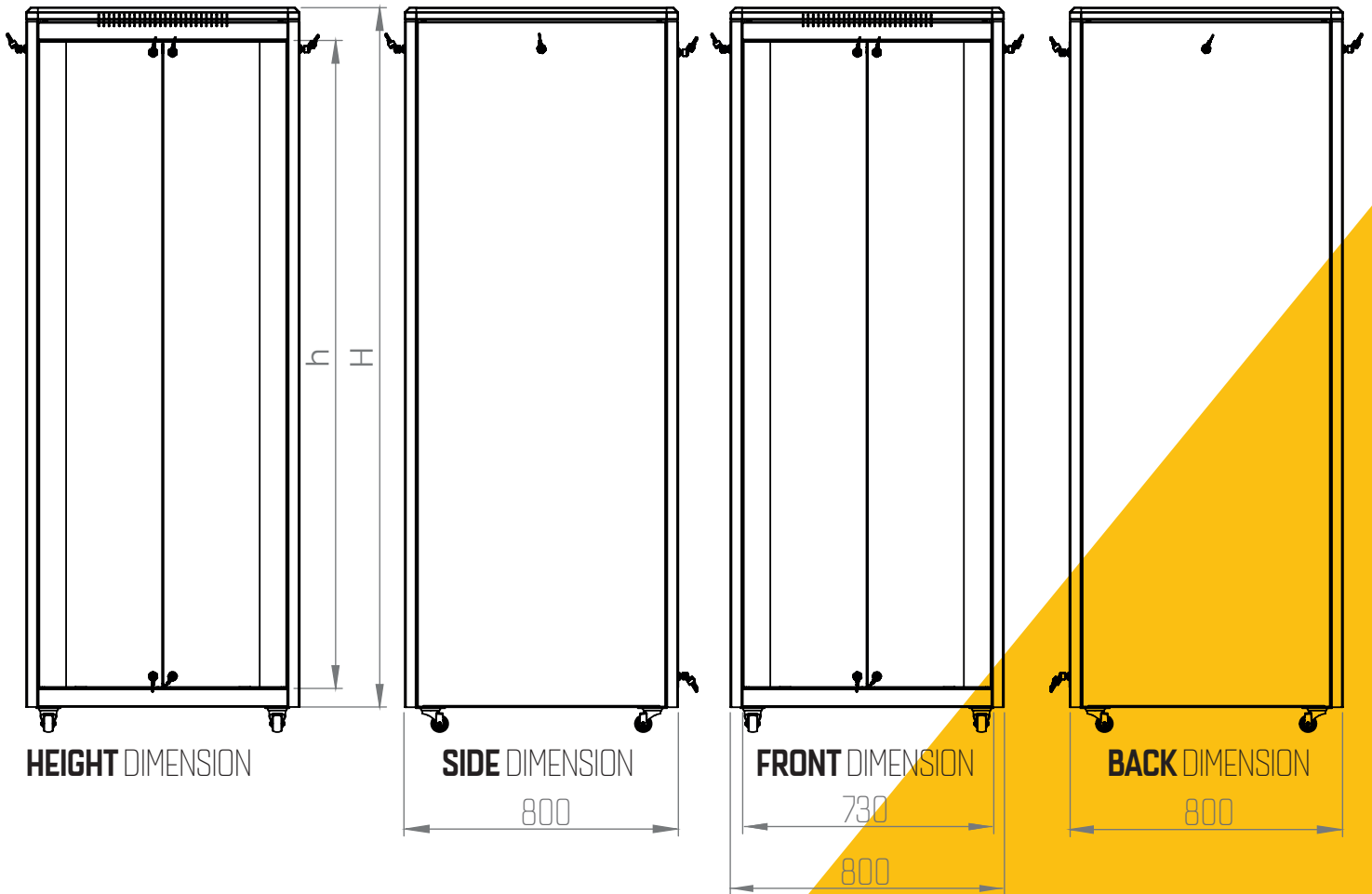


19" RACK CABINET

800x800

Free Standing Rack Cabinet

TECNICAL DETAILS



Product Code	Description	Stock Code	Dimension wxdxh Mm	h Dimension U	h mm	H mm Outside TWheel and Footless Measure Wheels 50 mm	Wide mm	Wide Device	Between The Bris Depth Mm	Amount In Packing	Packing Dimension WxDxH mm	Net Product Weight G.	Gross Product Weight G.
TSRK-16U8080	16U 19" Free Standing Cabinet W: 800mm D: 800 mm	17031	800x800x885	16U	740	885	800	19"	800	1	820x820x905	49.600	49.600
TSRK-20U8080	20U 19" Free Standing Cabinet W: 800mm D: 800 mm	17032	800x800x1066	20U	915	1066	800	19"	800	1	820x820x1086	62.000	62.000
TSRK-22U8080	22U 19" Free Standing Cabinet W: 800mm D: 800 mm	17033	800x800x1155	22U	1004	1155	800	19"	800	1	820x820x1175	68.200	68.200
TSRK-26U8080	26U 19" Free Standing Cabinet W: 800mm D: 800 mm	17034	800x800x1333	26U	1182	1333	800	19"	800	1	820x820x1353	80.600	80.600
TSRK-32U8080	32U 19" Free Standing Cabinet W: 800mm D: 800 mm	17035	800x800x1600	32U	1450	1600	800	19"	800	1	820x820x1620	99.200	99.200
TSRK-36U8080	36U 19" Free Standing Cabinet W: 800mm D: 800 mm	17036	800x800x1780	36U	1625	1780	800	19"	800	1	820x820x1800	111.600	111.600
TSRK-42U8080	42U 19" Free Standing Cabinet W: 800mm D: 800 mm	17037	800x800x2045	42U	1895	2045	800	19"	800	1	820x820x2065	130.200	130.200
TSRK-44U8080	44U 19" Free Standing Cabinet W: 800mm D: 800 mm	17038	800x800x2130	44U	1985	2130	800	19"	800	1	820x820x2150	136.400	136.400



Turkey



19" RACK CABINET

800x1000

Free Standing Rack Cabinet

Network/Server cabinets,

Quality and value added in the most optimal way.

Parallel to the high performance and quality of its network applications, fully automatic industrial infrastructure and design create an unbelievable price index and offer the customer likes.



In the 600mm wide range,

From 16U to 44U, 8 different depths are offered. The cabinets are supplied as standard with glass front door, mechanical interlock, locked metal side panels and a locked metal rear door. All panels and doors are lockable.

Colour Options


RAL 9005
Black


RAL 7035
Light Grey

Wide product height portfolio,

Everything you need for your infrastructure meets the need for height. In addition to its technical appearance, it also has an aesthetic appearance with decorative extrusion aluminum front door frame.

Completely standard and stocked product portfolio is shipped pre-assembled and disassembled.

The height adjustment foot is not included in the dispatch configuration.

It is offered with the quality to meet all usage demands and various accessory options and most suitable for height usage area.



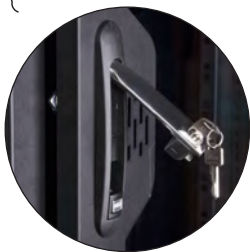
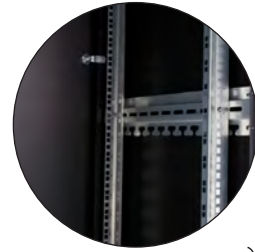
19" RACK CABINET

800x1000

Free Standing Rack Cabinet

DETAILS

19 " Stylish type modular rack cabinet – All steel construction - Ergonomic design - Carrying frame is steel construction with 1.5mm thickness - Openable and lockable side and back covers - Adjustable rack mounting brackets at the desired level - 800 kg carrying capacity - Easy assembling - An optional fan unit can be installed in the ceiling - The front door is supported by 4 mm tempered glass and sheet frame - Lower and upper cable entries – Standart colors ral 9005, 7035 and 7032 - Dismounted at freight costs: 50% savings, convenient price



Turkey

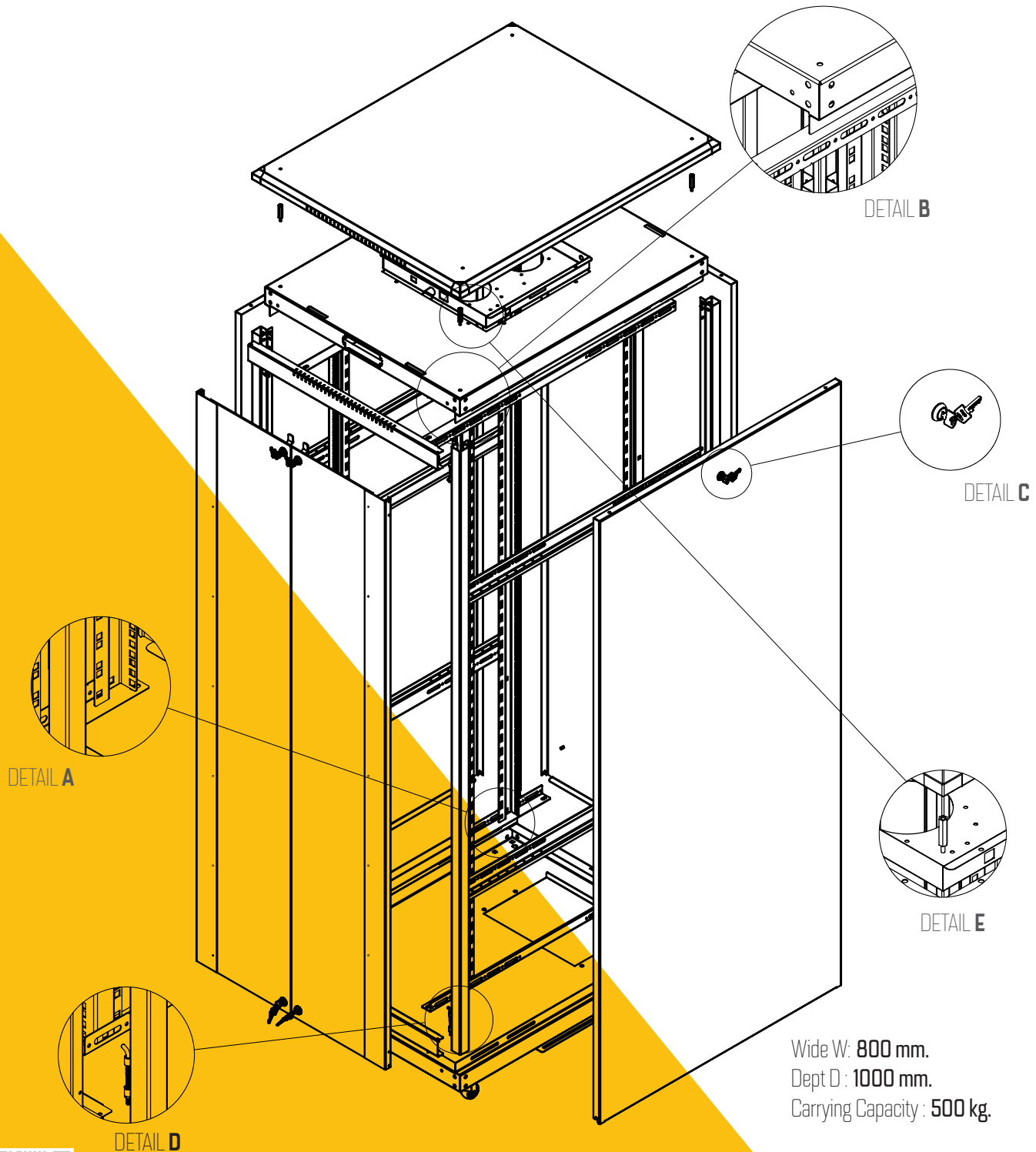


19" RACK CABINET

800x1000

Free Standing Rack Cabinet

TECNICAL DETAILS



Wide W: 800 mm.
Dept D: 1000 mm.
Carrying Capacity: 500 kg.

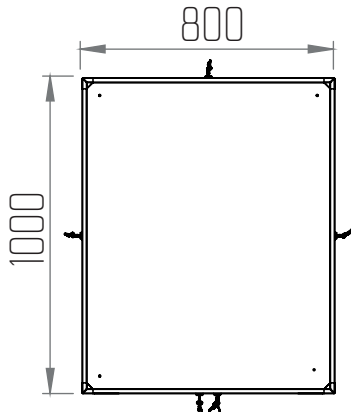


19" RACK CABINET

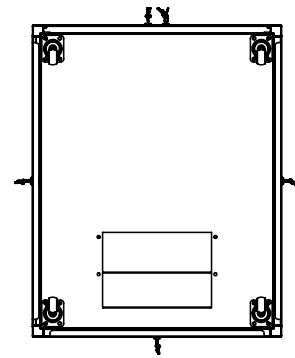
800x1000

Free Standing Rack Cabinet

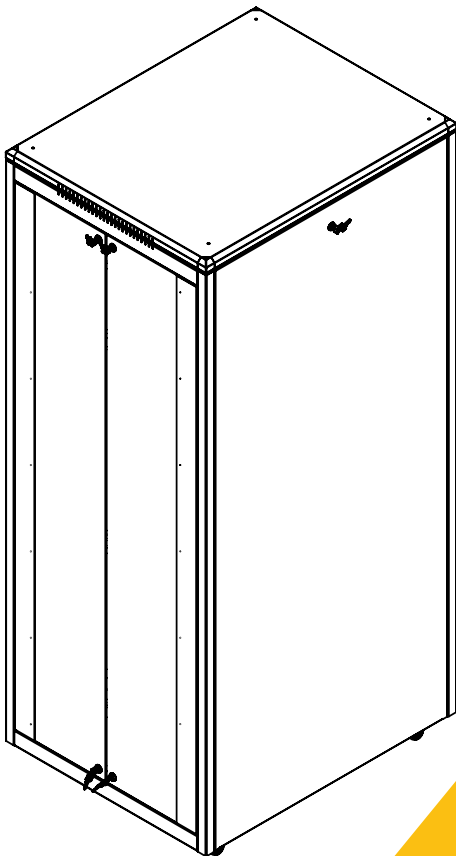
TECNICAL DETAILS



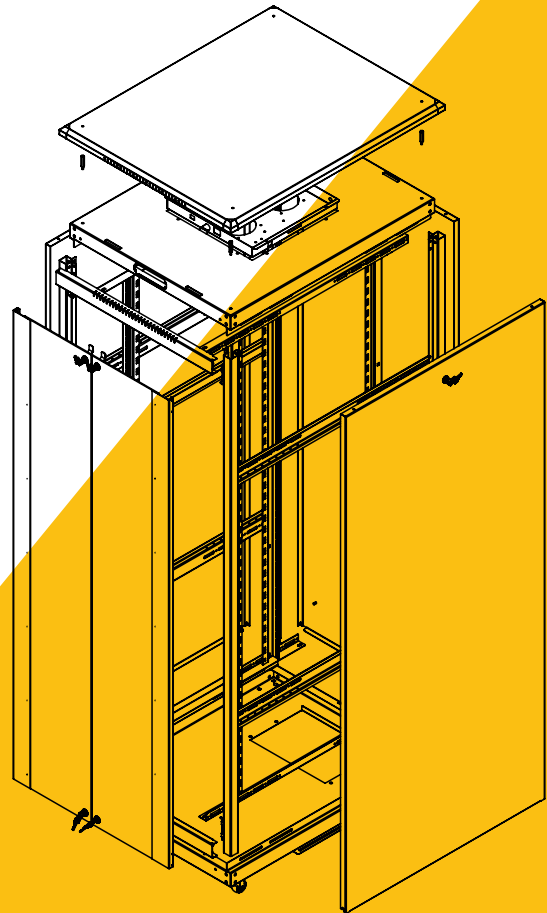
TOP VIEW



BOTTOM VIEW



ISOMETRIC VIEW



ISOMETRIC DECONATED VIEW

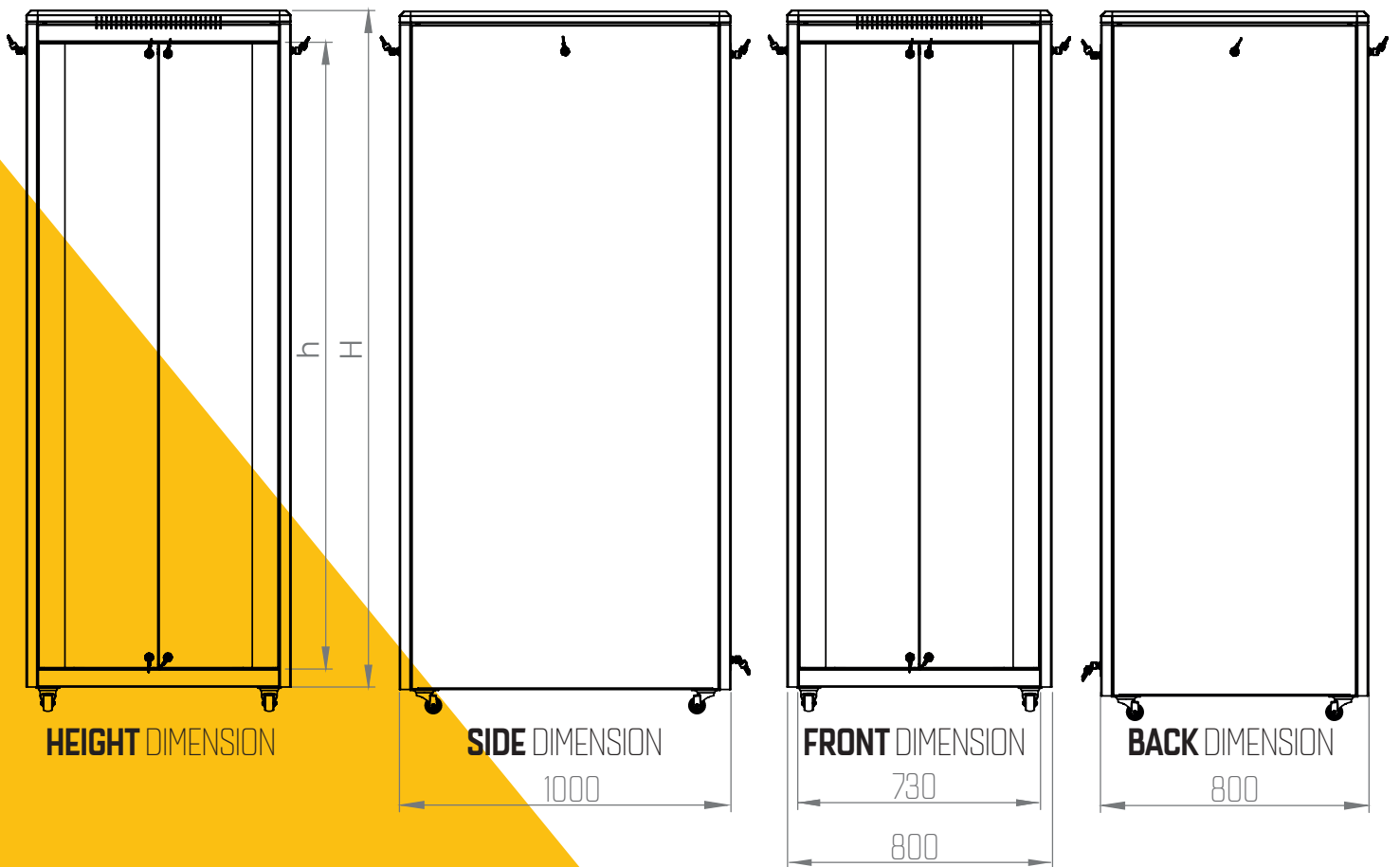


19" RACK CABINET

800x1000

Free Standing Rack Cabinet

TECNICAL DETAILS



Product Code	Description	Stock Code	Dimension wxcxh Mm	h Dimension U	h mm	H mm Outside Outside T Wheel and Footless Measure Wheels 90 mm	Wide mm	Wide Device	Between The Bins Depth Mm	Amount In Packing	Packing Dimension WxDxH mm	Net Product Weight G.	Gros Product Weight G.
TSRK-16U80100	16U 19" Free Standing Cabinet W: 800mm D: 1000 mm	17041	800x1000x885	16U	740	885	800	19"	1000	1	820x1020x905	52.800	52.800
TSRK-20U80100	20U 19" Free Standing Cabinet W: 800mm D: 1000 mm	17042	800x1000x1066	20U	915	1066	800	19"	1000	1	820x1020x1086	66.000	66.000
TSRK-22U80100	22U 19" Free Standing Cabinet W: 800mm D: 1000 mm	17043	800x1000x1155	22U	1004	1155	800	19"	1000	1	820x1020x1175	72.600	72.600
TSRK-26U80100	26U 19" Free Standing Cabinet W: 800mm D: 1000 mm	17044	800x1000x1333	26U	1182	1333	800	19"	1000	1	820x1020x1353	85.800	85.800
TSRK-32U80100	32U 19" Free Standing Cabinet W: 800mm D: 1000 mm	17045	800x1000x1600	32U	1450	1600	800	19"	1000	1	820x1020x1620	105.600	105.600
TSRK-36U80100	36U 19" Free Standing Cabinet W: 800mm D: 1000 mm	17046	800x1000x1780	36U	1625	1780	800	19"	1000	1	820x1020x1800	118.800	118.800
TSRK-42U80100	42U 19" Free Standing Cabinet W: 800mm D: 1000 mm	17047	800x1000x2045	42U	1895	2045	800	19"	1000	1	820x1020x2065	138.600	138.600
TSRK-44U80100	44U 19" Free Standing Cabinet W: 800mm D: 1000 mm	17048	800x1000x2130	44U	1985	2130	800	19"	1000	1	820x1020x2150	145.200	145.200



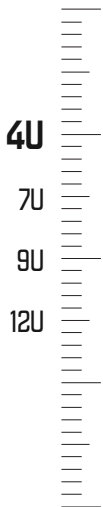
RACK CABINET

WALL TYPE

Network/Server cabinets,

Quality and value added in the most optimal way.

Parallel to the high performance and quality of its network applications, fully automatic industrial infrastructure and design create an unbelievable price index and offer the customer likes.



SOHO

ECO

PRO

ECO:

In 520X400 sizes, 4 different heights are offered up to 4,7,9,12U.

PRO:

600X450 and 600x600 sizes 2 kind 3 different heights are offered up to 7,9,12U.

Eco: Cabinets are standard mechanical lock with glass front cover.

Pro: In the cabins, side covers can be opened and locked.



100
Client Dönüşüm

Turkey

19" RACK CABINET 520x400 ECO

Wall Type Rack Cabinet

Network/Server cabinets,

Quality and value added in the most optimal way.

Parallel to the high performance and quality of its network applications, fully automatic industrial infrastructure and design create an unbelievable price index and offer the customer likes.



Rack Cabin series

Wall-type eco cabins
19 "w: 520 mm and d: 450 mm at physical dimensions is the maximum internal use depth at physical measurements offers a wide selection of users with 4 different heights

All

Wall-mounted cabinets are shipped as standard and stocked pre-assembled in one piece and standard factory settings.

Colour Options



RAL 9005
Black



RAL 7035
Light Grey

As decorative

are presented with special design parts and accessories for harmonization to your surroundings and living spaces.



ECO 19" RACK CABINET

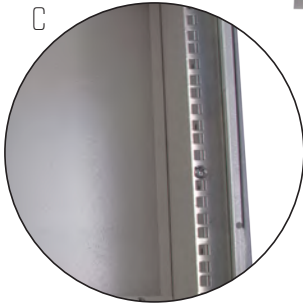
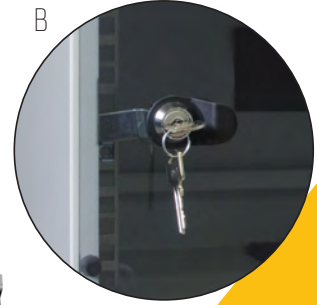
520x400

Wall Type Rack Cabinet

DETAILS

Full length, smoked, high resistance to breaking, tempered, antistatic 4,0 mm thick glazed and locked structure.

The front door is made of tempered glass. 9035 gray, 9005 textured black, there are 2 colors.

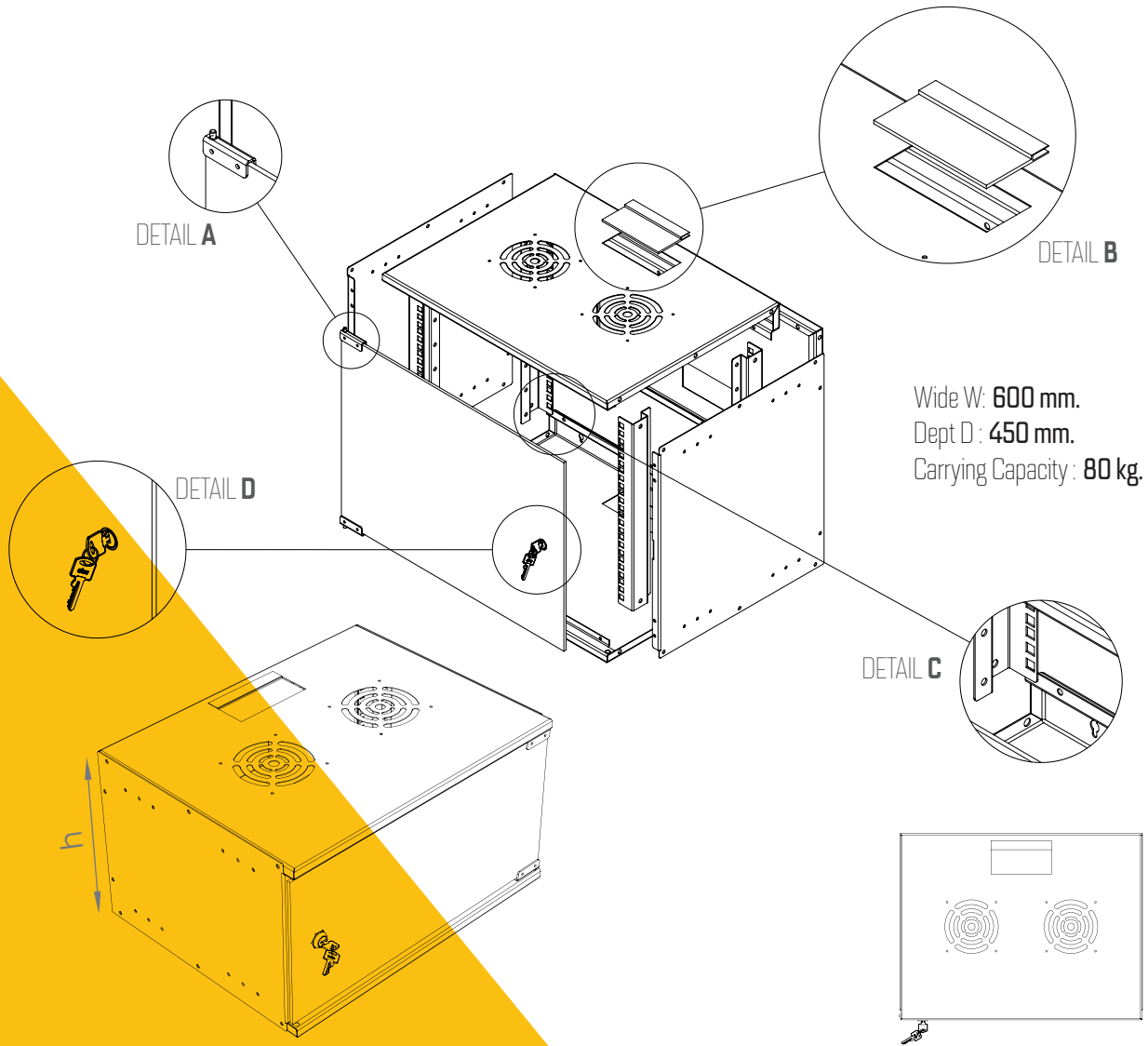


19" RACK CABINET

520x400 ECO

Wall Type Rack Cabinet

TECNICAL DETAILS



Product Code	Description	Stock Code	Dimension wxdxh Mm	h Dimension U	h mm	H mm Outside Outside	Wide mm	Wide Device	Between The Bins Depth Mm	Amount In Packing	Packing Dimension WxDxH mm	Net Product Weight G.	Gros Product Weight G.
TSEK-4U5240	4U 19" ECO WALL TYPE RACK CABINET	17051	520x400x214	4U	202	214	520	19"	400	1	540x420x234	7.900	13.000
TSEK-7U5240	7U 19" ECO WALL TYPE RACK CABINET	17052	520x400x214	7U	355	375	520	19"	400	1	540x420x11216	10.100	15.200
TSEK-9U5240	9U 19" ECO WALL TYPE RACK CABINET	17053	520x400x214	9U	457	483	520	19"	400	1	540x420x1305	11.500	16.600
TSEK-12U5240	12U 19" ECO WALL TYPE RACK CABINET	17054	520x400x214	12U	610	645	520	19"	400	1	540x420x1482	13.600	18.700



PRO 19" RACK CABINET

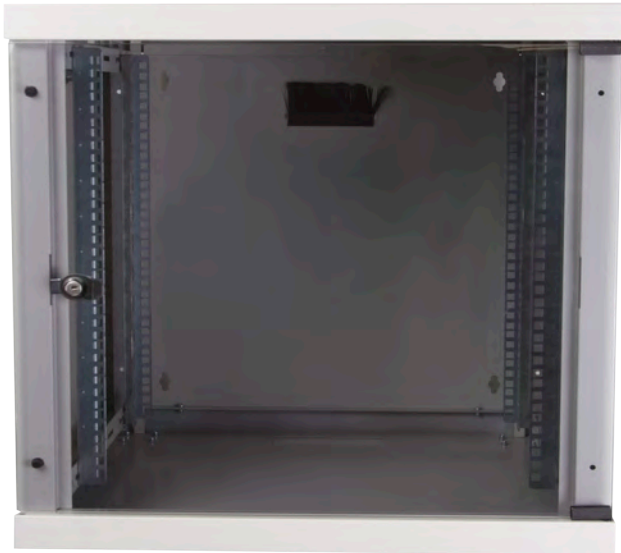
600x450

Wall Type Rack Cabinet

Network/Server cabinets,

Quality and value added in the most optimal way.

Parallel to the high performance and quality of its network applications, fully automatic industrial infrastructure and design create an unbelievable price index and offer the customer likes.



Rack Kabin series

Wall-type eco cabins,
19 "w: 600 mm and d: 450 mm in physical measurements, maximum internal
It has a depth of usage and offers a wide selection of users with 3 different height.
Ferfore door option.

Colour Options



RAL 9005
Black



RAL 7035
Light Grey

All

Wall-mounted cabinets are shipped as standard and stocked pre-assembled in one piece and standard factory settings.

As decorative

are presented with special design parts and accessories for harmonization to your surroundings and living spaces.



Turkey

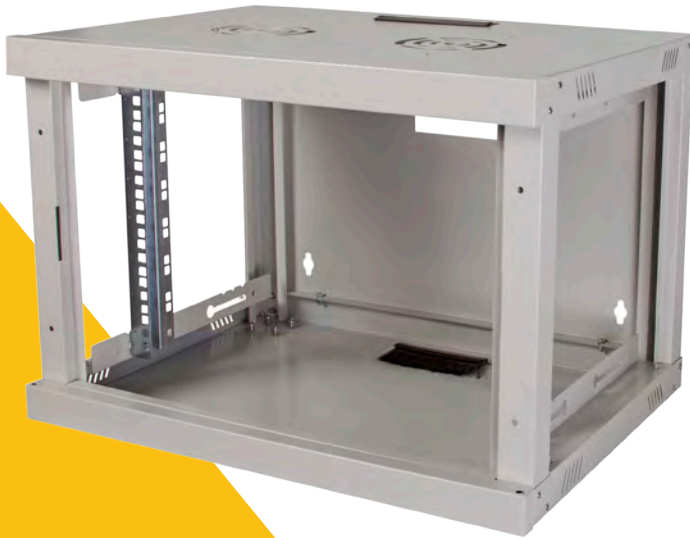
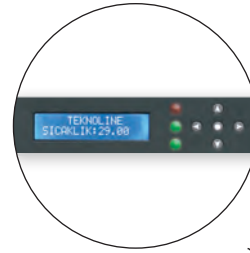


19" RACK CABINET 600x450 PRO

Wall Type Rack Cabinet

DETAILS

Full length, smoked, high resistance to breaking, tempered, antistatic 4,0 mm thick glazed and locked structure.

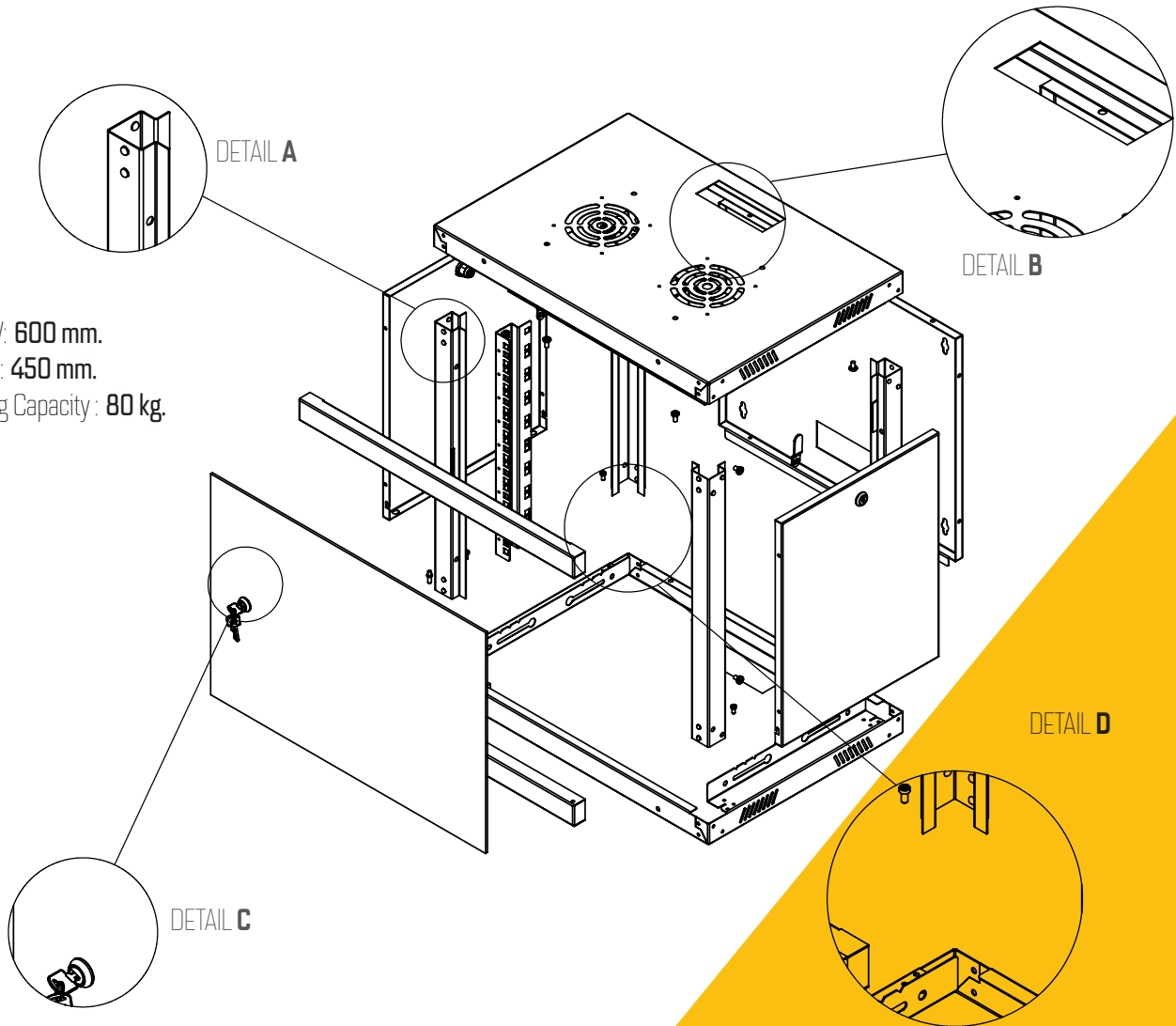


19" RACK CABINET PRO 600x450

Wall Type Rack Cabinet

TECNICAL DETAILS

Wide W: 600 mm.
Dept D : 450 mm.
Carrying Capacity : 80 kg.



	Product Code	Description	Stock Code	Dimension wxdxh Mm	h Dimension U	h mm	H mm Outside Outside	Wide mm	Wide Device	Between The Bins Depth Mm	Amount In Packing	Packing Dimension WxDxH mm	Net Product Weight G.	Gross Product Weight G.
600x450	TSPK-7U6045	7U 19" PRO WALL TYPE RACK CABINET	17061	600x450x396	7U	330	396	600	19"	450	1	620x470x416	11.100	16.200
	TSEK-9U6045	9U 19" PRO WALL TYPE RACK CABINET	17062	600x450x510	9U	425	510	600	19"	450	1	620x470x530	12.500	17.600
	TSEK-12U6045	12U 19" PRO WALL TYPE RACK CABINET	17063	600x450x680	12U	566	680	600	19"	450	1	620x470x700	14.600	19.700
600x600	TSPK-7U6060	7U 19" PRO WALL TYPE RACK CABINET	17064	600x600x396	7U	330	396	600	19"	600	1	620x620x416	11.100	16.200
	TSEK-9U6060	9U 19" PRO WALL TYPE RACK CABINET	17065	600x600x510	9U	425	510	600	19"	600	1	620x620x530	12.500	17.600
	TSEK-12U6060	12U 19" PRO WALL TYPE RACK CABINET	17066	600x600x680	12U	566	680	600	19"	600	1	620x620x700	14.600	19.700



Turkey



WALL MOUNTED ENCLOSURES

INDOOR - OUTDOOR

Easy to install,

Network distribution panels designed to create an efficient cost index.

Parallel to the high performance and quality of network applications,

it offers an unobtrusive price index thanks to fully automated industrial infrastructure and design.

The product group has the most efficient price index modeled on the required performance and qual



**Its Intelligent Design
And Packaging,**
it has low shipping costs
and low storage costs.

Each Panel is available as a standard metal front door with lockable 'O' lock with cylindrical single point locking.

WALL MOUNTED ENCLOSURES

500x600

INDOOR

Wall Type Electrical / Automation / Industrial Panels:

Wall type Industrial / Automation / Electrical panels are used for internal and external environments for electrical distribution, automation and control purposes.

Wall mount or pole mount can be used. It can be used with 19 " applications with accessories.

GENERAL FEATURES

- Metal material is boiled for high strength body is created.
- Narrow side bends provide more room for internal installation.
- The base sheet can be easily taken into or out of the panel.
- Suitable for 500 hour salt test strength, Nano-Zirconium based Henkel Bonderite Nanotechnology coating with RAL 7035 Ince rough color, 70-90 micron thick.
- Provides high strength against chemicals.
- For high strength, cover with multiple folded bends It was consolidated.
- There is a single or double lock on the cover, the lid can be adapted for opening in the opposite direction.
- Gasket is applied on the cover for sealing.
- Cable entry on the lower side depending on the size of the panel It is available.



Colour Options



RAL 9005
Black



RAL 7035
Light Grey

Standard Production Measures Used :

Height (mm) : 600 / 700 / 800

Width (mm) : 500 / 600 / 800

Depth (mm) : 150 / 200 / 250

- Can be produced in desired sizes

WALL MOUNTED ENCLOSURES
500x600
INDOOR

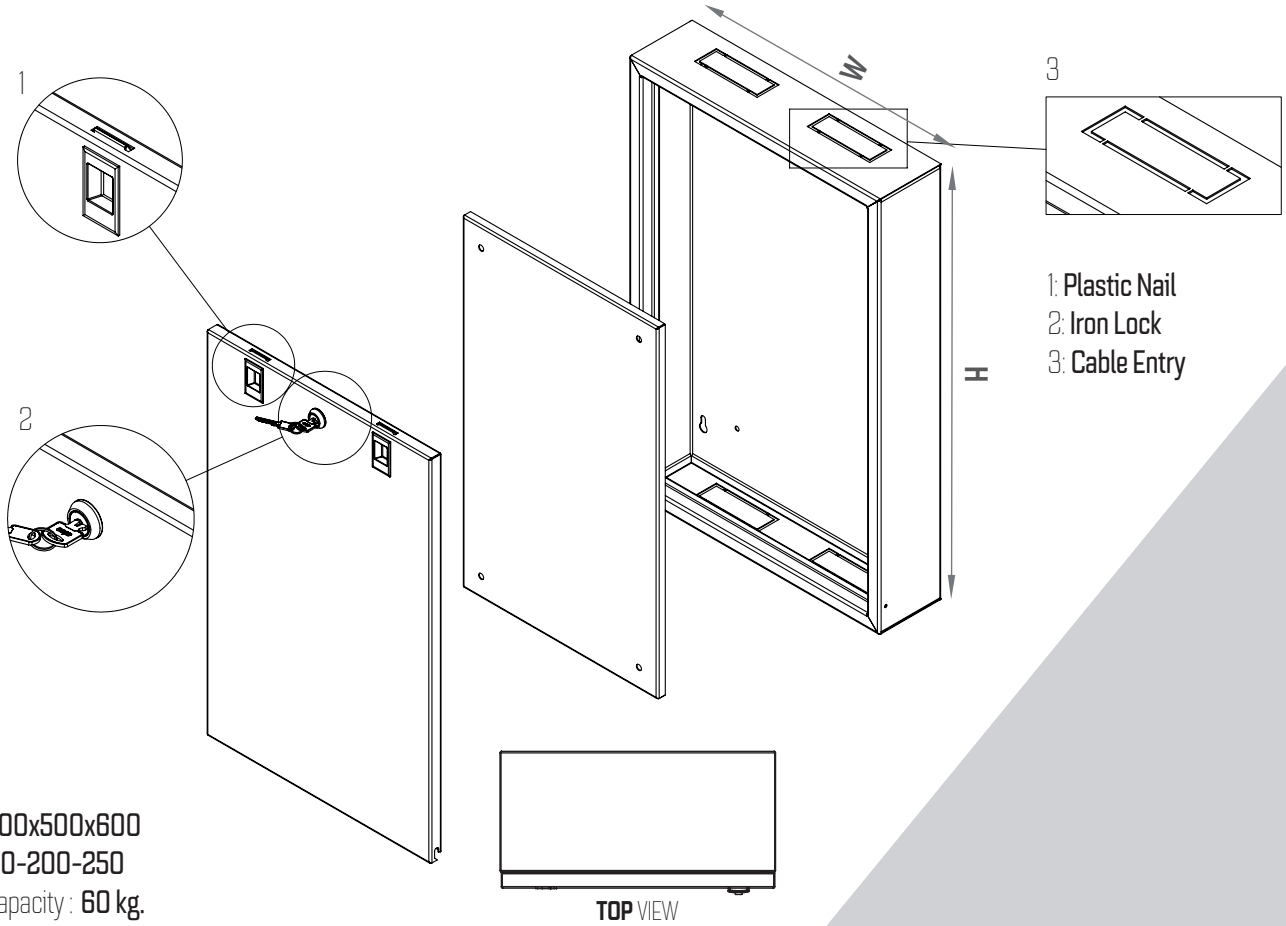
DETAILS

- The main body, bottom - top part, bucumun boiling is created as a result. Provides extra strength against multi-jawed body and welding load handling and external impact.
- The lid structure is reinforced by strength and flatness with multiple bends and folds.
- Base plate (Mounting plate) - manufactured from galvanized sheet (including 500 mm)
- Wall mount brackets provide high-volume load handling without deformation.



WALL MOUNTED ENCLOSURES
500x600
 INDOOR

TECHNICAL DETAILS



Product Code	Description	Stock Code	Dimension wxdxh Mm	Depth	H mm Outside Outside	Wide mm	Net Product Weight G.		
							150	200	250
TP-400x300	400x300 INDOOR ENCLOSURES	17061	400x300	150x200x250	300	400	4.500	6.000	7.500
TP-400x600	400x600 INDOOR ENCLOSURES	17062	400x600	150x200x250	600	400	9.000	12.000	15.000
TP-400x700	400x700 INDOOR ENCLOSURES	17063	400x700	150x200x250	700	400	10.500	14.000	17.500
TP-400x1100	400x1100 INDOOR ENCLOSURES	17064	400x1100	150x200x250	1100	400	16.500	22.000	27.700
TP-500x600	500x600 INDOOR ENCLOSURES	17065	500x600	150x200x250	600	500	9.800	13.000	16.300
TP-500x700	500x700 INDOOR ENCLOSURES	17066	500x700	150x200x250	700	500	10.000	13.200	16.500
TP-600x700	600x700 INDOOR ENCLOSURES	17067	600x700	150x200x250	700	600	12.000	16.000	20.000
TP-600x800	600x800 INDOOR ENCLOSURES	17068	600x800	150x200x250	800	600	13.700	18.200	22.800
TP-600x900	600x900 INDOOR ENCLOSURES	17069	600x900	150x200x250	900	600	15.400	20.500	25.500
TP-750x1200	750x1200 INDOOR ENCLOSURES	17070	50x1200	150x200x250	1200	750	20.500	27.300	34.200
TP-800x1200	800x1200 INDOOR ENCLOSURES	17071	800x1200	150x200x250	1200	800	19.000	25.450	31.800



WALL MOUNTED ENCLOSURES

IP 55 500 mm

OUTDOOR

Improved IP55 Outdoor exterior panel

Steel construction, specially designed panel structure is resistant to bending and has a built-in screw system construction
. Protect your devices against external influences with high corrosion resistance.



Colour Options



RAL 9005
Black



RAL 7035
Light Grey

Standard Production

Measures Used:

Height (mm): 600
Width (mm) : 400
Depth (mm) : 250

GENERAL FEATURES

External Dimensions: The size and design of the external type panel CINA. Four of the bases at the bottom of the board it is fixed to the hole in the corner. Fixing operation If desired, the template is used.

Doors: 120o openable doors are locked from two spots. Depending on the design of the doors, knows.

Paint and surface treatment processes: Iron surface treatment process and then painted with RAL 7035 paint. In the standard, the inner parts are made entirely of galvanized sheet is. It is produced as aluminum on demand. Electrostatic powder coating is applied.

Protection class: IP55 - water and dust tightness. Cable entry: otherwise if not requested, on the bottom of the board. Cooling unit: can be added. Cable entry is standard if not specified.

Basic materials and standards: Main carrier profiles, spools, panels and panel ceiling Dkp are produced from the material.

Grounding: Hinges on the underside of the inside of each door for close grounding M6 nut is attached to the spot without paint-Taste.

Hinges: Iron hinges with anti-vandal features, fixed in the channel in the profile of the cap it forms an extension of the door. A possible challenge from the outside It is resistant to intervention.



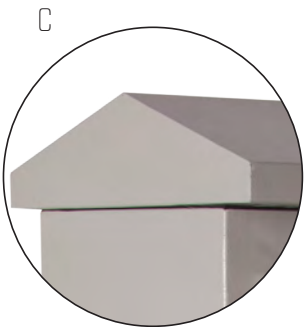
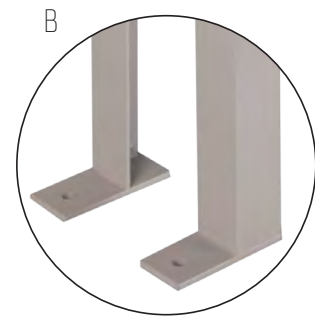
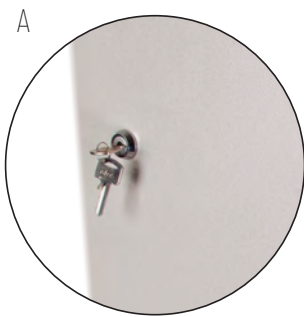
WALL MOUNTED ENCLOSURES

IP55 500 mm

OUTDOOR

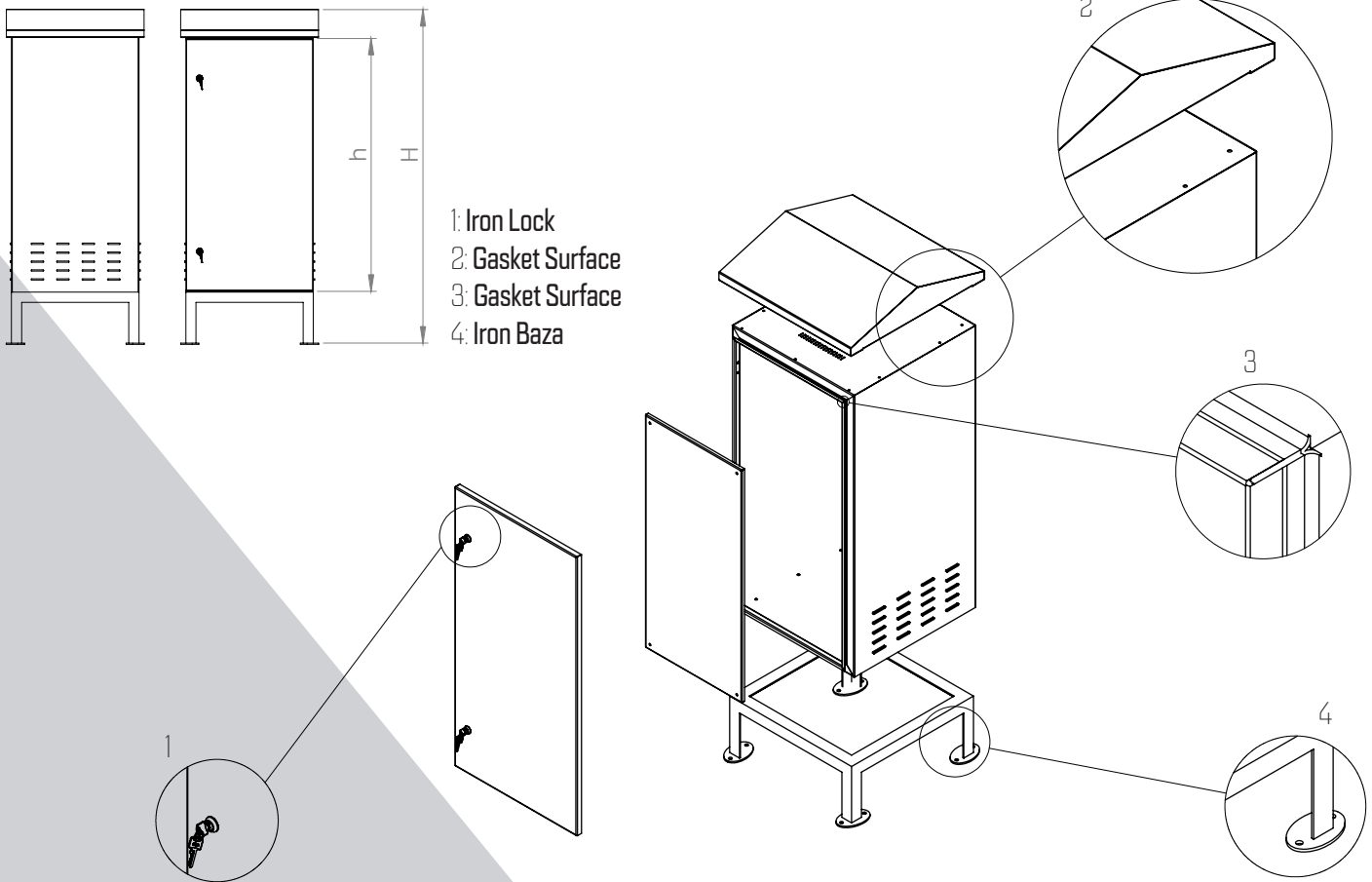
DETAIL

Made of 40x40 razor stainless sheet, W 150-200 mm, width and depth according to panel size
It varies. The type of material and the type of material used can vary according to the project request.
Template (Optional): Proper and easy installation of the panel to be used as a guide on concrete floor
. The panel can be fixed to the concrete with four corner M12 tijings.



WALL MOUNTED ENCLOSURES
IP 55 500 mm
 OUTDOOR

TECHNICAL DETAILS



Product Code	Description	Stock Code	Dimension wxdxh Mm	Depth	H mm Outside Outside	Wide mm	Amount in Packing	Packing Dimension WxDxH mm	Net Product Weight G.	Gros Product Weight G.
TP-500x600	500x600 OUTDOOR ENCLOSURES	17081	500x600	150x200x250	600	500	1	520x620x170	24.000	25.000
TP-500x700	500x700 OUTDOOR ENCLOSURES	17082	500x700	150x200x250	700	500	1	520x720x170	28.000	29.000
TP-500x800	500x800 OUTDOOR ENCLOSURES	17083	500x800	150x200x250	800	500	1	520x820x170	32.000	33.000
TP-500x900	500x900 OUTDOOR ENCLOSURES	17084	500x900	150x200x250	900	500	1	520x920x170	36.000	37.000



DOUBLE INSULATION ENCLOSURES

640x400

OUTDOOR

Pole Type Electrical / Automation / Industrial Panels:

Wall type Industrial / Automation / Electric panels, electrical distribution, automation and control control purposes It is used in internal and external environments. It can be connected to wall, pole and floor. 19 " with accessories can be used in applications.

GENERAL FEATURES

- Metal material is boiled for high strength. body is created.
- Full compliance with edge bends and lid seal.
- Narrow side bends provide more room for internal installation.
- IP55 Provides protection against dust and water.
- Mechanical resistance against external impact is high.
- Suitable for 500 hour salt test strength, Phosphate coating and RAL 7035 is painted 70-90 micron thick paint.
- Provides high strength against chemicals.
- For high strength, cover with multiple folded bends t was consolidated.
- There is only one lock on the cover, the cover can be made suitable for opening in the reverse direction.
- Highly corrosion resistant
- There is a sealing ring on the cover.
- Cable entry on the lower side depending on the size of the panel It is available.



Colour Options



RAL 9005
Black



RAL 7035
Light Grey

Standard Production

Measures Used:

Height (mm) : 600 / 700 / 800
Width (mm) : 500 / 600 / 800
Depth (mm) : 150 / 200 / 250



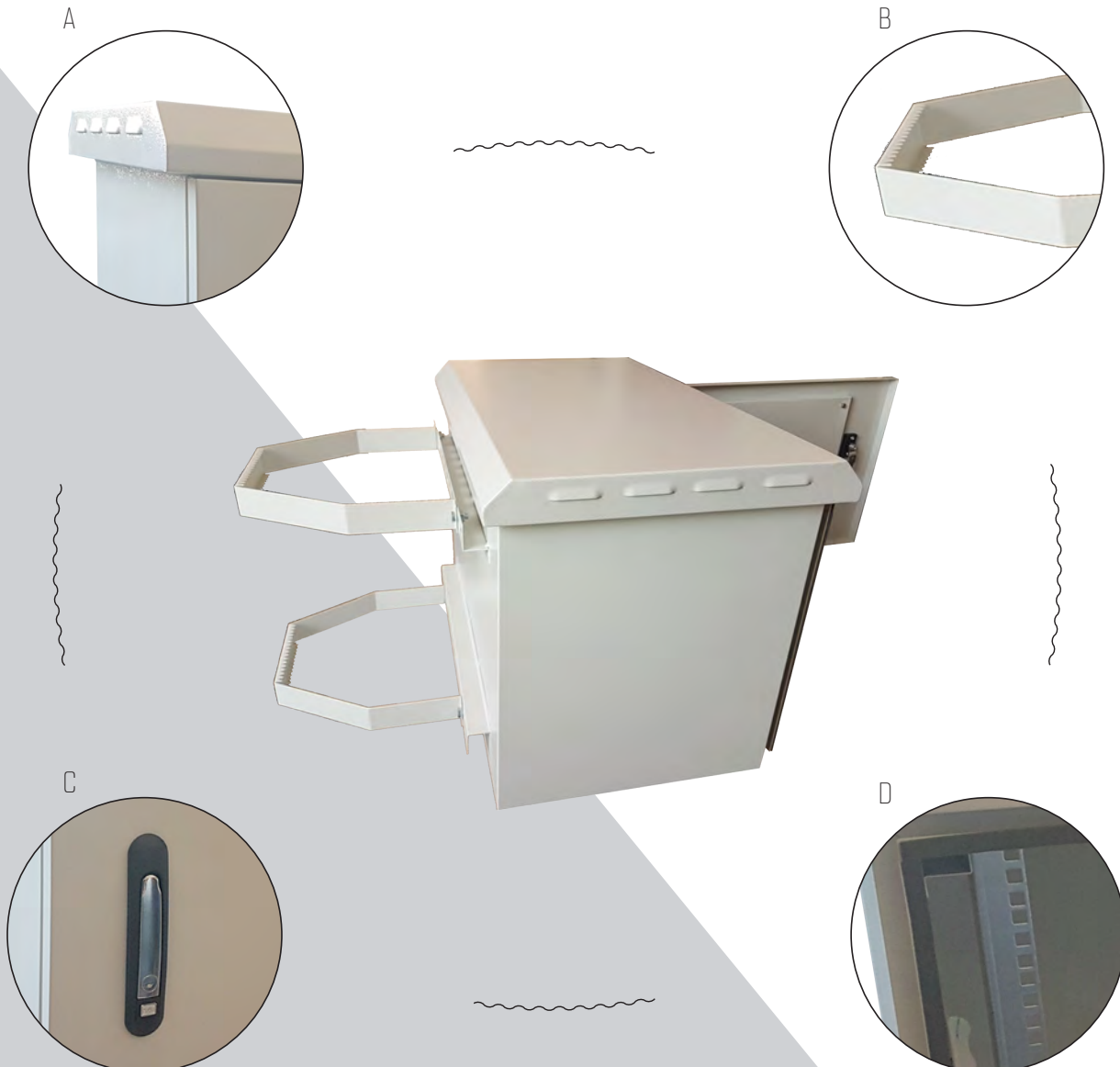
Turkey



DOUBLE INSULATION **ENCLOSURES**
640x400
OUTDOOR

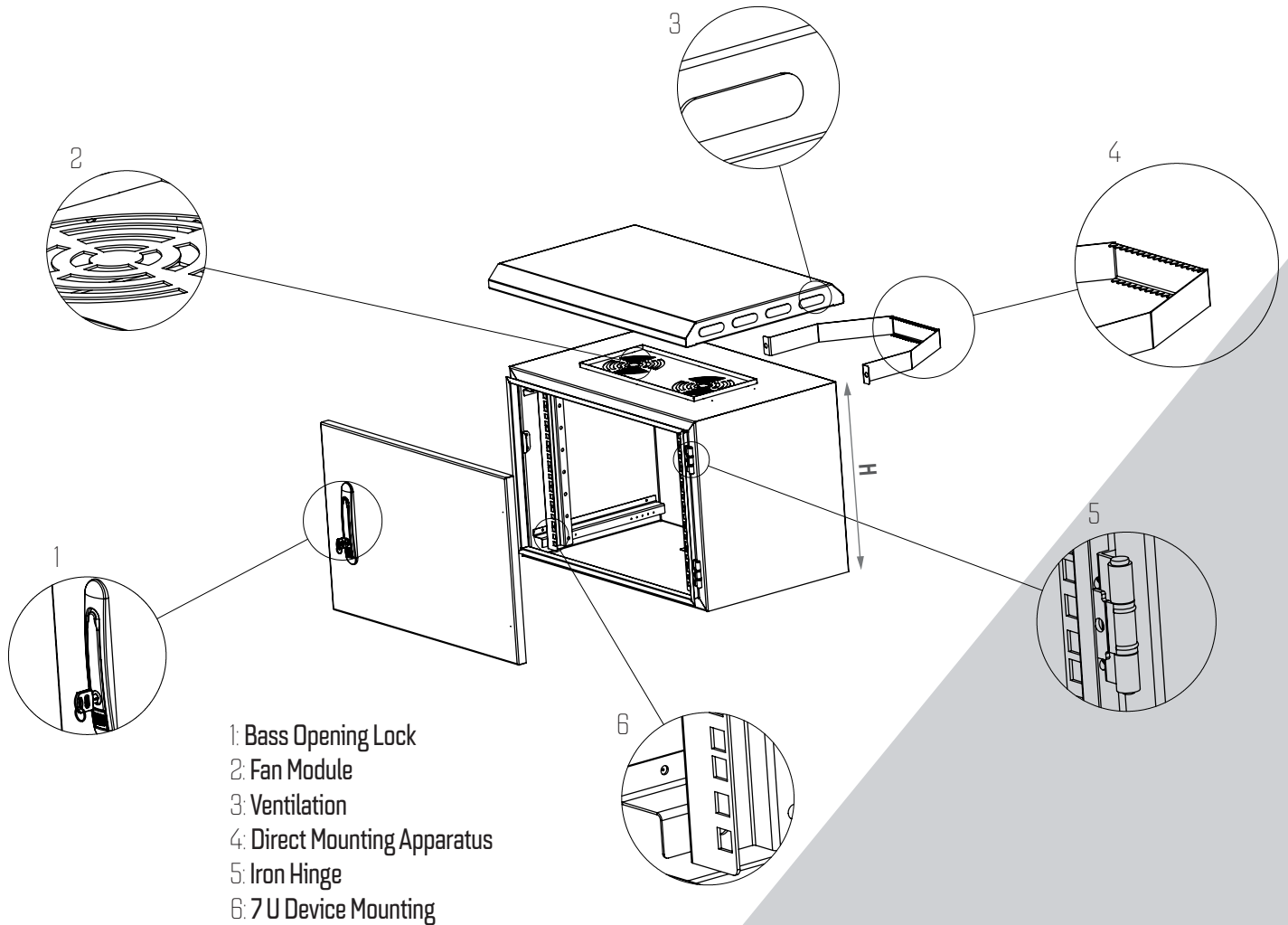
DETAIL

- The main body is formed as a result of welding the lower - upper part with the baffled center piece. Provides extra strength against multi-jawed body and welding load handling and external impact.
 - The lid structure is reinforced by strength and flatness with multiple bends and folds. It provides better contact with the gasket for better sealing protection.
- Base plate (Mounting plate) - manufactured from galvanized sheet. From panels with height of 500 mm, cabling and it is manufactured by bending 4 sides (to 500 mm included) to assure the installation of the equipment.
 - Wall mount brackets provide high-volume load handling without deformation.



DOUBLE INSULATION ENCLOSURES
640x400
 OUTDOOR

TECHNICAL DETAILS



- 1: Bass Opening Lock
- 2: Fan Module
- 3: Ventilation
- 4: Direct Mounting Apparatus
- 5: Iron Hinge
- 6: 7 U Device Mounting

Product Code	Description	Stock Code	Dimension wxdxh Mm	h Dimension in U	H mm Outside Outside	Wide mm	Amount In Packing	Depth mm	Amount In Packing	Packing Dimension WxDxH mm	Net Product Weight G.	Gros Product Weight G.
TP-7U6440	7U OUTDOOR ENCLOSURES	17091	640x400x420	7U	420	640	19"	400	1	660x420x420	23.300	24.300
TP-9U6440	9U OUTDOOR ENCLOSURES	17092	640x400x555	9U	555	640	19"	400	1	660x420x555	29.900	30.900
TP-12U6440	12U OUTDOOR ENCLOSURES	17093	640x400x688	12U	688	640	19"	400	1	660x420x688	39.600	40.600
TP-16U6440	16U OUTDOOR ENCLOSURES	17094	640x400x821	16U	821	640	19"	400	1	660x420x821	52.800	53.800



PATCH PANEL

Rock Type Fixed SC

WITH ADAPTOR

With professional rail system and cable management
provides practical fiber termination to the user.

1U 19" rack mounting, sliding-slide type, with mounting bracket, depth adjustment, metal clip - screw locking, splice is bolted to the center for cassette connection.
Fiber optic is available for termination and separation.
SC and FC options are available.

SPECIFICATIONS

12 DX SC PORT: 24 Fiber Termination Capacity

Width: 465mm

Height: (1U)

Depth: 238mm

Sheet thickness: 1,2 mm

SC, FC, ST, E2000, LC, MU etc. All known connectors such as types are possible.

Fiber Optic Attachment With tape and fiber optic cable gland.



PRODUCT CODE

STOCK CODE

MODEL

TPP 12 SC	11159	Patch Panel 19 inc Rack Type 1 U Metal Case 12 Port Output
TPP 24 SC	11160	Patch Panel 19 inc Rack Type 1 U Metal Case 24 Port Output
TPP 48 SC	11161	Patch Panel 19 inc Rack Type 2 U Metal Case 48 Port Output
TPP 72 SC	11162	Patch Panel 19 inc Rack Type 3 U Metal Case 72 Port Output
TPP 96 SC	11163	Patch Panel 19 inc Rack Type 4 U Metal Case 96 Port Output



PATCH PANEL Rock Type Fixed FC WITH ADAPTOR

With professional rail system and cable management
provides practical fiber termination to the user.

1U 19" rack mounting, sliding-slide type, with mounting bracket, depth adjustment, metal clip - screw locking, splice is bolted to the center for cassette connection.
Fiber optic is available for termination and seperation.
SC and FC options are available.

SPECIFICATIONS

12 DX SC PORT: 24 Fiber Termination Capacity

Width: 465mm

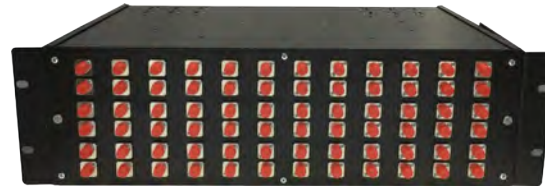
Height: (1U)

Depth: 238mm

Sheet thickness: 1,2 mm

SC, FC, ST, E2000, LC, MU etc. All known connectors such as types are possible.

Fiber Optic Attachment With tape and fiber optic cable gland.



PRODUCT CODE

STOCK CODE

MODEL

TPP 12 FC

11165

Patch Panel 19 inc Rack Type 1 U Metal Case 12 Port Output

TPP 24 FC

11166

Patch Panel 19 inc Rack Type 1 U Metal Case 24 Port Output

TPP 48 FC

11167

Patch Panel 19 inc Rack Type 2 U Metal Case 48 Port Output

TPP 72 FC

11168

Patch Panel 19 inc Rack Type 3 U Metal Case 72 Port Output



PATCH PANEL

Wall Type Fixed SC/APC

TERMINATION

With professional rail system and cable management
provides practical fiber termination to the user.

1U 19" rack mounting, sliding-slide type, with mounting bracket, depth adjustment, metal clip - screw locking, splice is bolted to the center for cassette connection.
Fiber optic is available for termination and separation.
SC and FC options are available.

SPECIFICATIONS

12 DX SC PORT: 24 Fiber Termination Capacity

Width: 465mm

Yükseklik: (1U)

Height: 238mm

Sheet thickness: 1,2 mm

SC, FC, ST, E2000, LC, MU etc. All known connectors such as types are possible.

Fiber Optic Attachment With tape and fiber optic cable gland.



PRODUCT CODE

STOCK CODE

MODEL

TPP 12 SC

11159

Patch Panel 19 inc Rack Type 1 U Metal Case 12 Port Output

TPP 24 SC

11160

Patch Panel 19 inc Rack Type 1 U Metal Case 24 Port Output

TPP 48 SC

11161

Patch Panel 19 inc Rack Type 2 U Metal Case 48 Port Output

TPP 72 SC

11162

Patch Panel 19 inc Rack Type 3 U Metal Case 72 Port Output

TPP 96 SC

11163

Patch Panel 19 inc Rack Type 4 U Metal Case 96 Port Output



PATCH PANEL

Rack Type Fixed FC

WITH ADAPTOR

With professional rail system and cable management
provides practical fiber termination to the user.

1U 19" rack mounting, sliding-slide type, with mounting bracket, depth adjustment, metal clip - screw locking, splice is bolted to the center for cassette connection.
Fiber optic is available for termination and seperation.
SC and FC options are available.

SPECIFICATIONS

12 DX SC PORT: 24 Fiber Termination Capacity

Width: 465mm

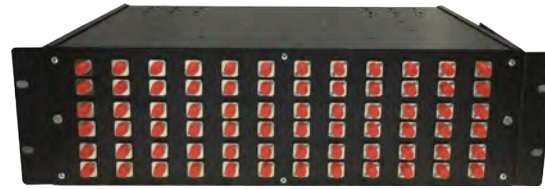
Height: (1U)

Depth: 238mm

Sheet thickness: 1,2 mm

SC, FC, ST, E2000, LC, MU etc. All known connectors such as types are possible.

Fiber Optic Attachment With tape and fiber optic cable gland.



PRODUCT CODE

STOCK CODE

MODEL

TPP 12 FC

11165

Patch Panel 19 inc Rack Type 1 U Metal Case 12 Port Output

TPP 24 FC

11166

Patch Panel 19 inc Rack Type 1 U Metal Case 24 Port Output

TPP 48 FC

11167

Patch Panel 19 inc Rack Type 2 U Metal Case 48 Port Output

TPP 72 FC

11168

Patch Panel 19 inc Rack Type 3 U Metal Case 72 Port Output



FIBER OPTIC Wall Type TERMINATION BOX

Used for fiber optic termination:

ST, SC, LC options are available.

- Lockable front door with spring screws.
- Supplied with cable gland (1 pc.) And plastic cable gland PG16 (1 pcs).
- Clips in the cable are available for cable connection - forms are required.
- Can be shipped as RAL 7035 (OPEN GRAY) and RAL 9005 (BLACK).

S TYPE FIBER BOX



SPECIFICATIONS

- Provides a robust, two-chamber metal structure suitable for wall mounting.
- With its lockable front cover, it partially prevents the irrelevant people from accessing.
- Easy to install.
- With 6 PG16 records, it is provided to fix the input cable and is suitable for intensive cable entry.
- Mounting holes are available for cassette connection.



FIBER OPTIC Wall Type TERMINATION BOX

SM TYPE FIBER BOX



SPECIFICATIONS

- Provides a robust, two-chamber metal structure suitable for wall mounting.
- With its lockable front cover, it partially prevents the irrelevant people from accessing.
- Easy to install.
- With 6 PG16 records, it is provided to fix the input cable and is suitable for intensive cable entry.
- Mounting holes are available for cassette connection.

M TYPE FIBER BOX



SPECIFICATIONS

- Provides a robust, two-chamber metal structure suitable for wall mounting.
- With its lockable front cover, it partially prevents the irrelevant people from accessing.
- Easy to install.
- With 6 PG16 records, it is provided to fix the input cable and is suitable for intensive cable entry.
- Mounting holes are available for cassette connection.



FIBER OPTIC Wall Type TERMINATION BOX

B TYPE FIBER BOX



SPECIFICATIONS

- Suitable for wall mounting
- Lockable front cover
- Easy montage
- Modular internal panel structure
- 4-point cable entry
- Port for fiber cassette

D TYPE FIBER BOX



SPECIFICATIONS

- Suitable for wall mounting
- Lockable front cover
- Easy montage
- Modular internal panel structure
- 4-point cable entry
- Port for fiber cassette



FIBER OPTIC Wall Type TERMINATION BOX

Used for fiber optic termination:

ST, SC, LC options are available.

- Lockable front door with spring screws.
- Supplied with cable gland (1 pc.) And plastic cable gland PG16 (1 pcs).
- Clips in the cable are available for cable connection - forms are required.
- Can be shipped as RAL 7035 (OPEN GRAY) and RAL 9005 (BLACK).

PRODUCT CODE	STOCK CODE	MODEL
TPS 01	11129	Optical Termination Box 1 Port Output Plastic Case, Wall Type
TPS 04	11130	Optical Termination Box 4 Port Output Plastic Case, Wall Type
TPS 12	11131	Optical Termination Box 12 Port Output Plastic Case, Wall Type
TPS 24	11132	Optical Termination Box 24 Port Output Plastic Case, Wall Type

TPS 12



TECHNICAL SPECIFICATIONS

Teknoline TPS 12 - Finite Wall Type 12 Port Output Metal Case

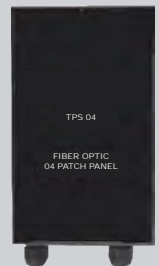
Wall Type

TECHNICAL SPECIFICATIONS

Teknoline TPS 04 - Finite Wall Type 12 Port Output Metal Case

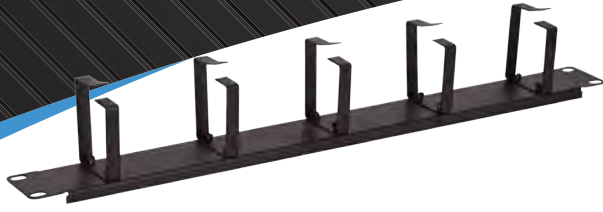
Wall Type

TPS 04



ACCESSORIES





ORGANIZER HORIZONTAL

GENERAL FEATURES

Horizontal Cable Regulation Class,

The cabinets are various accessories for the management of the cables, management and transfer. 1U, 2U brushes, with hooks available. Available in RAL 9005 Black and RAL 7035 Light Gray Colors.

Stock Code : 17101	W:600 x D:600	W:600 x D:600	W:600 x D:150 entegre With additional compartments D: 450 + 150 or D: 600+150
Horizontal Cable Arrangement Panel 19" 1U 5 with hook	TYO-1U5K	TYO-2U5K	TYO-2U5K

**CC - Available in RAL 9005 Black and RAL 7035 Light Gray Colors, color can be made according to customer request

ORGANIZER VERTICAL



GENERAL FEATURES

In the Vertical Cable Regulation Class,

Cabinets are cable ducts for management and transmission purposes. Cables are arranged on the slots, hyphenated it is transferred to the relevant equipment properly and manageably. By side-by-side mounting, the cable can be moved Cable ducts reinforced with 2 bends from metal are offered in zinc plated (8-12 micron).

Stock Code : 17102	W:600 x D:600	W:600 x D:600	W:600 x D:150 entegre With additional compartments D: 450 + 150 or D: 600+150
Vertical Cable Arrangement Panel 19" 1U 5 with hook	TYO-1U5K	TYO-2U5K	TYO-2U5K

**CC - Available in RAL 9005 Black and RAL 7035 Light Gray Colors, color can be made according to customer request



SHELF FIXED

GENERAL FEATURES

Fixed Shelf 4 point connected,

They are compatible with stand-up type rack cabinets. Ventilation slots are placed in order not to interfere with the ventilation system. It has been reported. It is a high-strength accessory constructed from steel material with bending technology. Carrying capacity 40 kg

Stock Code: 17103 Stock Code: 17104 Stock Code: 17105	W:400 x D:425 W:475 x D:695 W:475 x D:800	W:400 x D:425 W:475 x D:695 W:475 x D:800	W:600 x D:150 entegre With additional compartments D: 450 + 150 or D: 600+150
Fixed Shelf	TRK-SRB6060	TRK-SRB6060	TRK-SRB6060

**CC - Available in RAL 9005 Black and RAL 7035 Light Gray Colors, color can be made according to customer request



Turkey

SHELF MOVABLE



GENERAL FEATURES

Movable Shelves 4 point connected,

All brands are cabinet compatible products. The deeply movable device is integrated with the stand mounting ears.

Ventilation slots are provided to prevent any obstruction to the ventilation system.

Stock Code: 17106 Stock Code: 17107 Stock Code: 17108	W:400 x D:425 W:475 x D:695 W:475 x D:800	W:400 x D:425 W:475 x D:695 W:475 x D:800	W:600 x D:150 entegre With additional compartments D: 450 + 150 or D: 600+150
Movable Shelves	TRK-HR6060	TRK-SRB6060	TRK-SRB6060

**CC - Available in RAL 9005 Black and RAL 7035 Light Gray Colors, color can be made according to customer request



FAN MODULE WITH 2 and 4



GENERAL FEATURES

Wall type, Stylish type, Server type cabinet special,

They are Fan Module units that can be used at their height.

Ready integrated on / off lu units with plug-and-play operation. Beher Fan capacity is 2,3-3 m3 / min air flow.

With 2 Stock Code: 17109 With 4 Stock Code: 17110	W:600 x D:450	W:600 x D:600	W:600 x D:150 entegre With additional compartments D: 450 + 150 or D: 600+150
With 1 Fan Unit on/off switch	LN-FAN-ONF-1FWM-CC	LN-FAN-ONF-1FWM-CC	LN-FAN-ONF-1FWM-CC
With 1 Fan Unit Thermostat Remote	LN-FAN-THM-1FWM-CC	LN-FAN-THM-1FWM-CC	LN-FAN-THM-1FWM-CC
With 2 Fan Unit on/off switch	LN-FAN-ONF-2FWM-CC	LN-FAN-ONF-2FWM-CC	LN-FAN-ONF-2FWM-CC
With 2 Fan Unit Thermostat Remote	LN-FAN-THM-2FWM-CC	LN-FAN-THM-2FWM-CC	LN-FAN-THM-2FWM-CC

**CC - Available in RAL 9005 Black and RAL 7035 Light Gray Colors, color can be made according to customer request

GROUP SOCKET With 6 and 9



GENERAL FEATURES

Aluminum Body, different features and types,

Energy Distribution Modules. CE Certified. DIN49440 Schuko, IEC 320 C13 IEC type, BS1363 UK Plug-in types, illuminated 16A on / off, 16A Fuse Protection, Overvoltage Protection, and many other types and features.

Stock Code: 17111	W:600 x D:450	W:600 x D:600	W:600 x D:150 entegre With additional compartments D: 450 + 150 or D: 600+150
With socket 6 Schuko tip, 16A insurance	LN-PRZ-SGT-IU6P-SC	LN-PRZ-SGT-IU6P-SC	LN-PRZ-SGT-IU6P-SC



RACK CABINET WHEEL

GENERAL FEATURES

Specially designed for cabinet ...

Height-adjustable PVC Foot System and 360-degree fully-movable wheel groups on the y-axis. Each set consists of 4 pieces, wheels There are 2 brakes, 2 brakes. It is an accessory designed for connecting the cabinets to the floor.

Stock Code: 17112	W:600 x D:450	W:600 x D:600	W:600 x D:150 entegre With additional compartments D: 450 + 150 or D: 600+150
With whell groups 2 brakes, 2 brakless	LN-ZMN-TKR-5020-XX	LN-ZMN-TKR-5020-XX	LN-ZMN-TKR-5020-XX

RACK CABINET LOCKED

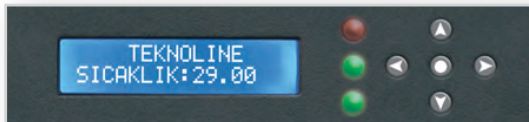


GENERAL FEATURES

It is used in electric panels and machine covers.

Stock Code: 17113

Raw Materials	Technical Features	Cylinder	Material	O'ring
POLYAMIDE PA6 GFR30	BODY:POLYAMIDE PA6 GFR30	ZINC DIN-EN 1774 ZnAl4Cu1	STEEL	RUBBER



RACK CABINET THERMOSTAT

GENERAL FEATURES

Thanks to the practical and ergonomic construction,

all kinds of brand and model active and passive devices can be installed in any detail accessories are manufactured in consideration of active and passive ventilation and traceability.

DEMPERATURE SENSOR	DIGITAL HEAT INDICATOR	WITH SYSTEM COOLING FAN	TEMPERATURE DETERMINION
--------------------	------------------------	-------------------------	-------------------------

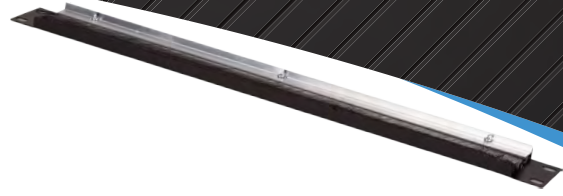
Stock Code: 17114

The digital temperature sensor measures the temperature of the heat and Fan 1 and 2 enter the circuit at the specified temperature intervals. At extremely high temperatures the Buzzer Alarm is switched on and the warning buzzer sounds.



Turkey

RACK CABINET BRUSH



GENERAL FEATURES

Stock Code: 17115	W:600 x D:450	W:600 x D:600	W:600 x D:150 entegre With additional compartments D: 450 + 150 or D: 600+150
BRUSH	-	***LN-RAF-HRK-D600-CC	***LN-RAF-HRK-D600-CC
**CC - Available in RAL 9005 Black and RAL 7035 Light Gray Colors, color can be made according to customer request			



RACK CABINET COVERING PANEL

GENERAL FEATURES

Network and Storage applications,

in order to correct the appearance by turning off the meter, which is not fitted with the device,

It is used as a stopper and a router in the passages.

19 "Closed Panels with Closed Type Tooling Units from 1U to 6U, Hand-held with special type rotatable clips mounting.

Covering panels with 2 bendings made of metal are supplied in RAL 9005 Black and RAL 7035 Light Gray Colors.

1U and 2U models are available with Slotted Ventilation

Stock Code: 17116

RACK CABINET BOLT



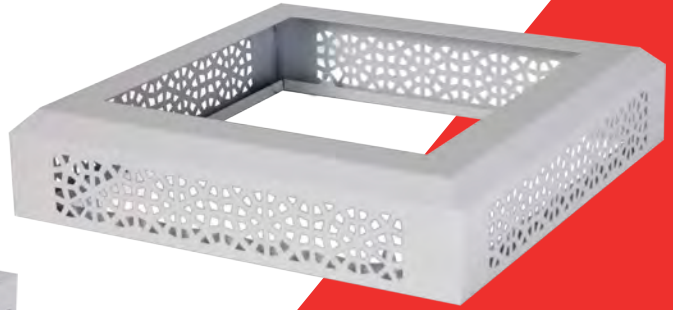
GENERAL FEATURES

M6 Steel Cage Nut Set,

20 and 50 packages including screws and washers, connection elements such as cabinet connection kit

Stock Code: 17117

LIGHTING



100
Orten Dönüşüm

Turkey

LIGHTING 300X300 LED PANEL



Stock Code: 17118

GENERAL FEATURES

- | | |
|----------------------|---|
| Body | : Electrostatic powder painted aluminum injection |
| Optical Cover | : Transparent glass, BK 7 |
| Driver | : Mean well brand high efficiency, industrial feed |
| Led | : Power Led |
| Lens | : Symmetric polymer injection
Desired model, desired model design is done. |



Stock Code: 17119



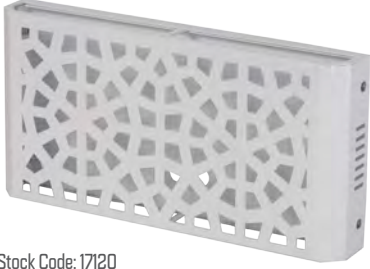
LIGHTING 600X600 FLOAT TOP ARMATURE

GENERAL FEATURES

- | | |
|----------------------|---|
| Body | : Electrostatic powder painted aluminum injection |
| Optical Cover | : Transparent glass, BK 7 |
| Driver | : Mean well brand high efficiency, industrial feed |
| Led | : Power Led |
| Lens | : Symmetric polymer injection
Desired model, desired model design is done. |



Turkey



Stock Code: 17120



LIGHTING WALL CLOTH

GENERAL FEATURES

- Body** : Electrostatic powder painted aluminum injection
Driver : Mean well brand high efficiency, industrial feed
Led : Power Led
Desired model, desired model design is done.

LIGHTING WALL CLOTH



Stock Code: 17121

GENERAL FEATURES

- Body** : Electrostatic powder painted aluminum injection
Driver : Mean well brand high efficiency, industrial feed
Led : Power Led
Desired model, desired model design is done.



100
Çerit Dönüşüm

Turkey

OTHER PRODUCTIONS

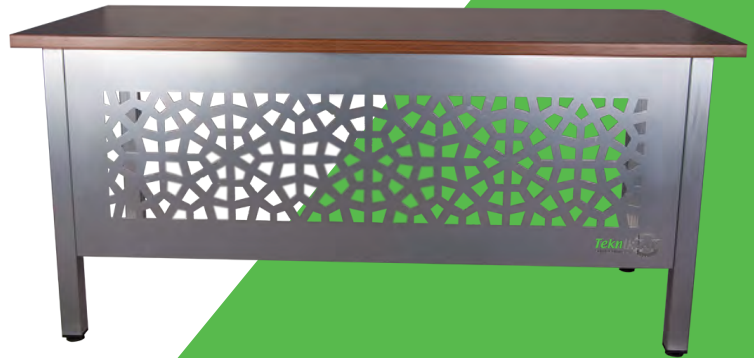




ADVERTISING STAND



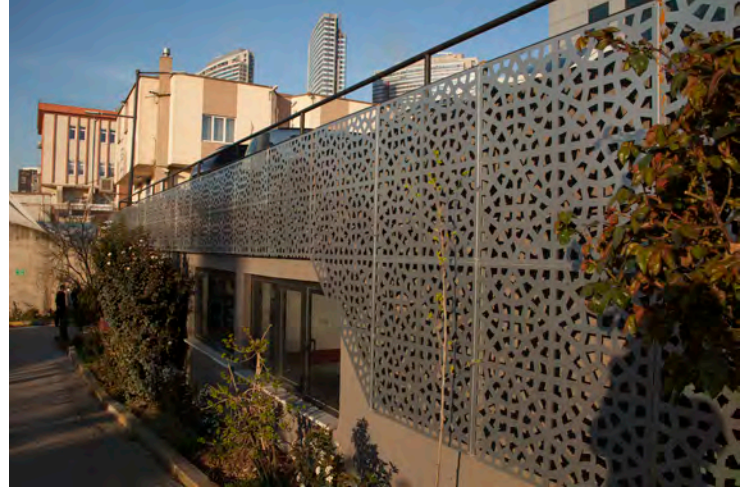
WORK TABLE



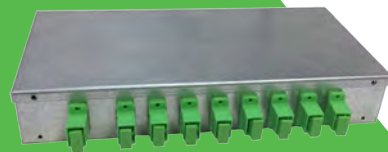
100
Çerit Dönüşüm

Turkey

EXTERIOR SIDE COATING AND APPLICATION



PATCH PANEL APPLICATION

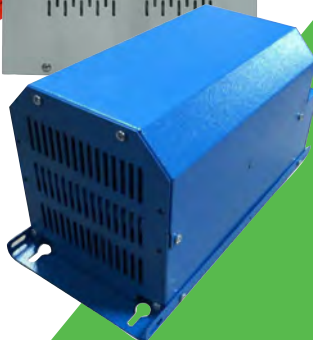




SPECIAL PROJECT APPLICATIONS



REGULATOR and INSURANCE PANEL APPLICATIONS



LIGHTING APPLICATIONS



LOBBY CONSULTANCY TABLE APPLICATIONS



FIRE DOOR, AIR CONDITIONING PLATFORM, **STREET LAMP** APPLICATIONS



OUR DOCUMENTS

ISO 9001

CERTIFICATE 

**TEKNİKSAT ELEKTRİK ELEKTROMEKANİK
SANAYİ VE TİCARET ANONİM ŞİRKETİ**
ZAFER MAH.169 SOK N:14/1
ESENYURT/İSTANBUL/TÜRKİYE

**ISO 9001:2008
KALİTE YÖNETİM SİSTEMİ**
Quality Management System

"ELEKTRİK DEVLERİNİN ANAHTARLANMASI, KORUNMASI VE ELEKTRİĞİN KONTROL VE DAĞITIMINA ÖZGÜ CİHAZLARIN PARÇALARININ İMALATI (KUMANDA PANOSU İÇİN TABLO, KONSOL, KABİN VB. DİĞER MESNETLER DAHİL, ELEKTRİK DÜĞMESİ, FIŞI VE PRİZİ HARİÇ)" Kapsamında uygunluğunu onaylar.

Sertifika No : NS CS.233/2016
Sertifika İlk Düzenleme Tarihi : 28.01.2017
Sertifika Düzenleme Tarihi : 28.01.2017
Sertifika Geçerlilik Tarihi : 27.01.2018
Belgeleme Periyodu : 3 yıl
EA Kodu : 19
Rev. No : 00

Onay / Approved
Genel Müdür / General Manager





www.netsert.com

ISO 14001

CERTIFICATE 

**TEKNİKSAT ELEKTRİK ELEKTROMEKANİK
SANAYİ VE TİCARET ANONİM ŞİRKETİ**
ZAFER MAH.169 SOK N:14/1
ESENYURT/İSTANBUL/TÜRKİYE

**ISO 14001:2004
ÇEVRE YÖNETİM SİSTEMİ**
Environmental Management System

"ELEKTRİK DEVLERİNİN ANAHTARLANMASI, KORUNMASI VE ELEKTRİĞİN KONTROL VE DAĞITIMINA ÖZGÜ CİHAZLARIN PARÇALARININ SATIŞI (KUMANDA PANOSU İÇİN TABLO, KONSOL, KABİN VB. DİĞER MESNETLER DAHİL, ELEKTRİK DÜĞMESİ, FIŞI VE PRİZİ HARİÇ)" Kapsamında uygunluğunu onaylar.

Sertifika No : NS CS.233/2016
Sertifika İlk Düzenleme Tarihi : 28.01.2017
Sertifika Düzenleme Tarihi : 28.01.2017
Sertifika Geçerlilik Tarihi : 27.01.2018
Belgeleme Periyodu : 3 yıl
EA Kodu : 19
Rev. No : 00

Onay / Approved
Genel Müdür / General Manager





www.netsert.com

OHSAS 18001

CERTIFICATE 

**TEKNİKSAT ELEKTRİK ELEKTROMEKANİK
SANAYİ VE TİCARET ANONİM ŞİRKETİ**
ZAFER MAH.169 SOK N:14/1
ESENYURT/İSTANBUL/TÜRKİYE

**OHSAS 18001:2007
İŞ SAĞLIĞI VE GÜVENLİĞİ YÖNETİM SİSTEMİ**
Occupational Health and Safety Management System

"ELEKTRİK DEVLERİNİN ANAHTARLANMASI, KORUNMASI VE ELEKTRİĞİN KONTROL VE DAĞITIMINA ÖZGÜ CİHAZLARIN PARÇALARININ İMALATI (KUMANDA PANOSU İÇİN TABLO, KONSOL, KABİN VB. DİĞER MESNETLER DAHİL, ELEKTRİK DÜĞMESİ, FIŞI VE PRİZİ HARİÇ)" Kapsamında uygunluğunu onaylar.

Sertifika No : NS.55.278/2016
Sertifika İlk Düzenleme Tarihi : 28.01.2017
Sertifika Düzenleme Tarihi : 28.01.2017
Sertifika Geçerlilik Tarihi : 27.01.2018
Belgeleme Periyodu : 3 yıl
EA Kodu : 19
Rev. No : 00

Onay / Approved
Genel Müdür / General Manager





www.netsert.com

CAPACITY REPORT

TÜRKİYE ODALAR VE BORSALAR BİRLİĞİ
KAPASİTE RAPORU

İSTANBUL TİCARET ODASI **Geçerlilik Süresi Sonu** Rapor Tarihi: 23.01.2017
24.01.2019 Rapor No: 281

Şirket Unvanı : TEKNİKSAT ELEKTRİK ELEKTROMEKANİK SANAYİ VE TİCARET ANONİM ŞİRKETİ	Sertifika No : 080903
Ticari Adres : ZAFER MAH.169 SOK N:14/1 ESENYURT/İSTANBUL	Ticaret Sicil No : 306405
Vergi Dairesi No : A-16/169 SOK N:14/1 ESENYURT/İSTANBUL	Paşinye Kodu : 27.13.02
İşletme No : 227120909144603202437-04	(NACE)
MARKEZİ Adres : ZAFER MAH.169 SOK N:14/1 ESENYURT/İSTANBUL	
İletişim Yürütme Yeri : ZAFER MAH.169 SOK N:14/1 ESENYURT/İSTANBUL	
İletişim Tel (Kodlu) : 212-4236693	Faks : 212-4274689
Web : www.makineci2000.com.tr	
Marka Adı : ZAFER MAH.169 SOK N:14/1 ESENYURT/İSTANBUL	
İletişim Tel (Kodlu) : 212-4236693	Faks : 212-4274689

Üretim Teslimatı Durumu		Serezay Kurumları Durumu (TÜS)		Personel Durumu	
Kısmi	Makine ve Teçhizat Durum	418.000	Mühendis	-	
Arızlı	Yapısal Serezay	100.000	Teknisyen	-	
Yetersiz			Uzman	-	
Yetersiz			İşçi	3	
Yetersiz			Mali Personel	-	
			Yönetim	3	

Üretim Teslimatı Durumu Tarihi: 16.01.2017

Üretim	Yetersiz Serezay	Personel	Kısmi	Yetersiz	Üretim
Üretim	Üretim	Personel	Kısmi	Yetersiz	Üretim

Sertifika No : 080903

Yürürlükte bulunan yasa(lar) kapsamında, işletmenin mevcut durumu ve kapasitesinin, yetersizlik durumu ve işletmenin diğer teknik özelliklerinin, kapasite raporuna tabii olarak raporlanmıştır. Kapasite raporuna (15.01.2017) ilişkin raporun tamamı aşağıdaki gibidir.

RAPO RÖR	3 EKZEMER
AYDIN KÖSE Kapasite Raporu	AHMET ONAL Mühür / İmza

76 Nispetiye

MACHINE PARK



CNC PUNCH (4 PIECE)

With Turret Punch for small, medium and large sheet metal processing technology you can use features such as drilling, shaping, threading and wheels, post weld type O type body and flexible target configuration for your business to facilitate setting of mold.



CNC BRAKE PRESS (4 PIECE)

It is possible to perform perfect and fast bending with 4 braking press machines. It has perfect bending results at high speed, minimum mold change and setting time, maximum speed and safety.



FIBER LASER CUTTING

With the new generation laser only price feature and G-force momentum gen-3 which can cut with dry air, steel, stainless steel, aluminum, brass, copper, galvanized sheet and various materials of different thickness can be used easily. With only price feature, higher quality cuts are obtained in thick sheets.



GUILLOTINE SHEARS

Up to 4 mm black sheet metal can be made with MS3004. It has a magnetic brake and clutch system for starting, stopping, positioning, controlling and regulating the conditions. It has 0-180° adjustable angle miter, finger guard ball-bearing scrolling table, rubber printing table.



INERT GAS WELDING (2 PIECE)

With 3 units of argon welding we achieved a fast and perfect welding. Magmaweld RS250 offers 380 V / 50 Hz operation. Burn Back, Pre-gas and Last Gas Time (Soft Start), which may be necessary for the inert gas welding, can be set through the wire feeding system cover.



ARGON WELDING (2 PIECE)

With 2 units of argon welding machine, a fast and perfect welding can be achieved. Despite the main voltage changes, the high welding current stability ensures that the torch and the electrode are always at the highest level despite the movement.



PEM MACHINE

BTM's patented sheet metal clamping systems offer an alternative solution to sheet metal combining. It is much more practical than welding or using bolted joints. Can be used everywhere with 6 bar air pressure. In cases where the workpieces are small, suitable presses are used and combinations are made.



SPOT MACHINE

30KVA Spot machine 380V-400V, 50Hz operating conditions and draws 63A current from the fuse. The machine is used with steel and iron for milling purposes. It has 2x10 + 6 mm cable kesidine and it is cooling with water.



DYEHOUSE

Powder painting can be done up to 200m² per hour. There is a conveyor line passing through a system. The products are hung on the conveyor line by means of special apparatuses and are applied to all application areas in a smooth manner.



Zafer Mah. 169. Sk. No: 14 Esenyurt / İSTANBUL
Tel: +90 212 423 66 88
www.tekniksatsatmetal.com • info@tekniksatsatmetal.com
www.tekniksatsatgroup.com.tr